



New Jersey Assessment of Skills and Knowledge Grade 6 MATHEMATICS REFERENCE SHEET

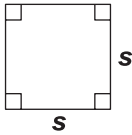
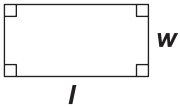
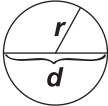
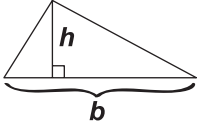
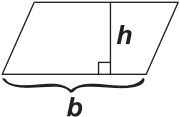
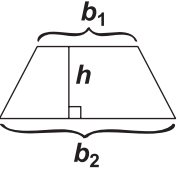
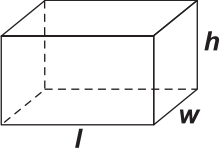
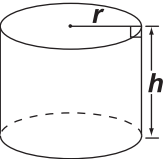
Use the information below to answer questions on the
Mathematics section of the Grade Six Assessment of Skills and Knowledge (NJ ASK 6).

The sum of the measures of the interior angles of a triangle = 180°

Distance = rate \times time

Simple Interest Formula: $A = P + Prt$

A = amount after t years; P = principal; r = annual interest rate; t = number of years

$\pi \approx 3.14$ or $\frac{22}{7}$	Square Area = s^2 Perimeter = $4s$ 	Rectangle Area = lw Perimeter = $2l + 2w$ 
Circle Area = πr^2 Circumference = $2\pi r$ = πd 	Triangle Area = $\frac{1}{2}bh$ 	Parallelogram Area = bh 
Trapezoid Area = $\frac{1}{2}h(b_1 + b_2)$ 	Rectangular Prism Volume = lwh Surface Area = $2lw + 2wh + 2lh$ 	Cylinder Volume = πr^2h Surface Area = $2\pi rh + 2\pi r^2$ 

USE THE FOLLOWING EQUIVALENTS FOR YOUR CALCULATIONS

60 seconds = 1 minute 60 minutes = 1 hour 24 hours = 1 day 7 days = 1 week 12 months = 1 year 365 days = 1 year	<table style="width: 100%; border: none;"> <tr> <td style="width: 33%;">12 inches = 1 foot</td> <td style="width: 33%;">10 millimeters = 1 centimeter</td> </tr> <tr> <td>3 feet = 1 yard</td> <td>100 centimeters = 1 meter</td> </tr> <tr> <td>36 inches = 1 yard</td> <td>10 decimeters = 1 meter</td> </tr> <tr> <td>5,280 feet = 1 mile</td> <td>1000 meters = 1 kilometer</td> </tr> <tr> <td>1,760 yards = 1 mile</td> <td></td> </tr> </table>	12 inches = 1 foot	10 millimeters = 1 centimeter	3 feet = 1 yard	100 centimeters = 1 meter	36 inches = 1 yard	10 decimeters = 1 meter	5,280 feet = 1 mile	1000 meters = 1 kilometer	1,760 yards = 1 mile	
12 inches = 1 foot	10 millimeters = 1 centimeter										
3 feet = 1 yard	100 centimeters = 1 meter										
36 inches = 1 yard	10 decimeters = 1 meter										
5,280 feet = 1 mile	1000 meters = 1 kilometer										
1,760 yards = 1 mile											
8 fluid ounces = 1 cup 2 cups = 1 pint 2 pints = 1 quart 4 quarts = 1 gallon 1000 milliliters (mL) = 1 liter (L)	<table style="width: 100%; border: none;"> <tr> <td style="width: 50%;">16 ounces = 1 pound</td> <td style="width: 50%;">2,000 pounds = 1 ton</td> </tr> <tr> <td>1000 milligrams = 1 gram</td> <td></td> </tr> <tr> <td>100 centigrams = 1 gram</td> <td></td> </tr> <tr> <td>10 grams = 1 dekagram</td> <td></td> </tr> <tr> <td>1000 grams = 1 kilogram</td> <td></td> </tr> </table>	16 ounces = 1 pound	2,000 pounds = 1 ton	1000 milligrams = 1 gram		100 centigrams = 1 gram		10 grams = 1 dekagram		1000 grams = 1 kilogram	
16 ounces = 1 pound	2,000 pounds = 1 ton										
1000 milligrams = 1 gram											
100 centigrams = 1 gram											
10 grams = 1 dekagram											
1000 grams = 1 kilogram											