



State of New Jersey
Department of Environmental Protection
Geological Survey

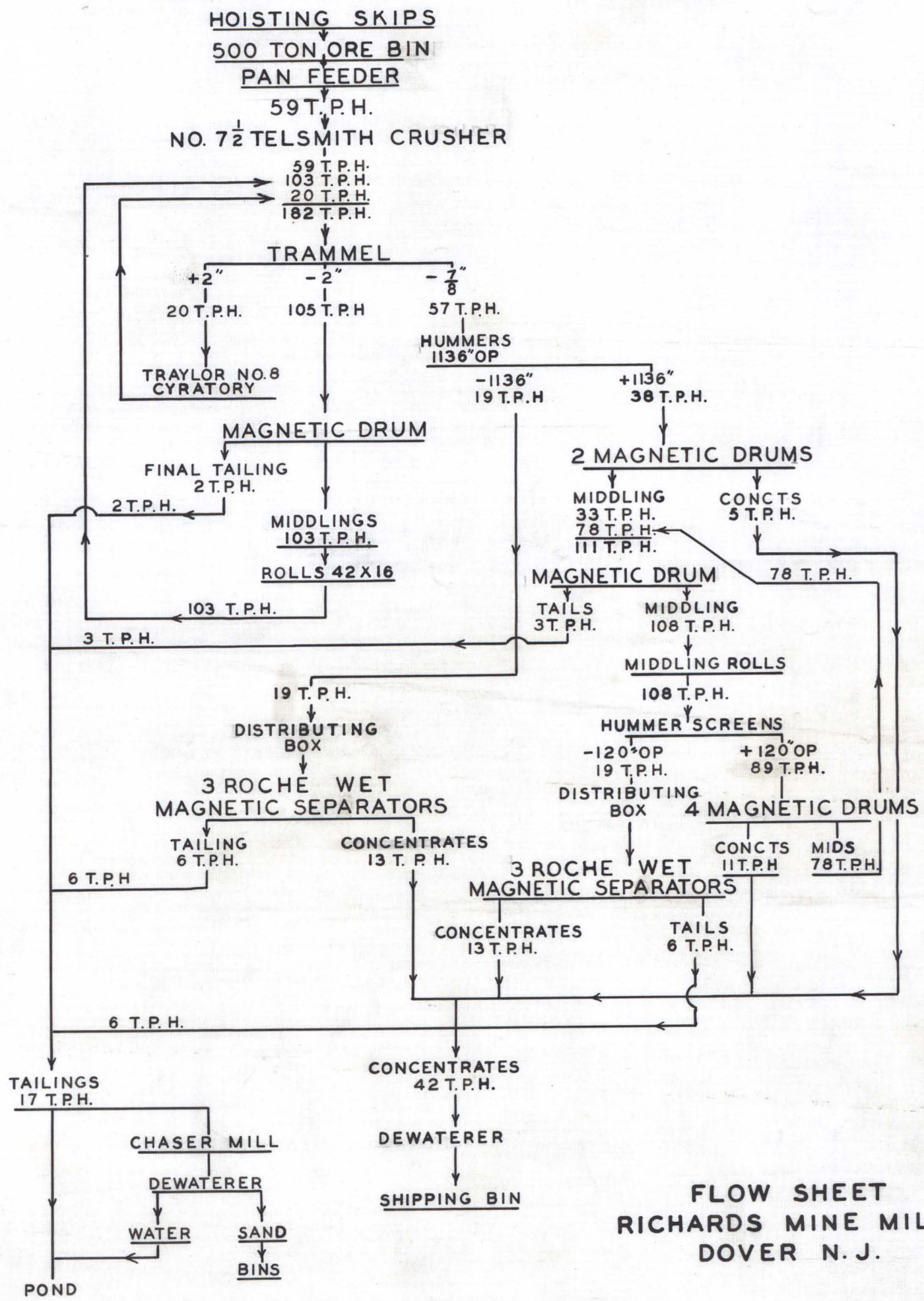


Information Disclaimer

The State of New Jersey makes great effort to provide secure, accurate and complete information. However, portions of the information contained here may be incorrect or not current.

The State of New Jersey, its officers, employees or agents shall not be liable for damages or losses of any kind arising out of or in connection with the use or performance of information, including but not limited to, damages or losses caused by reliance upon the accuracy or timeliness of any such information, or damages incurred from the viewing, distributing, or copying of those materials.

The materials and information provided here are provided "as is." No warranty of any kind, implied, expressed, or statutory, including but not limited to the warranties of non-infringement of third party rights, title, merchantability, fitness for a particular purpose, and freedom from computer virus, is given with respect to the contents of this document.

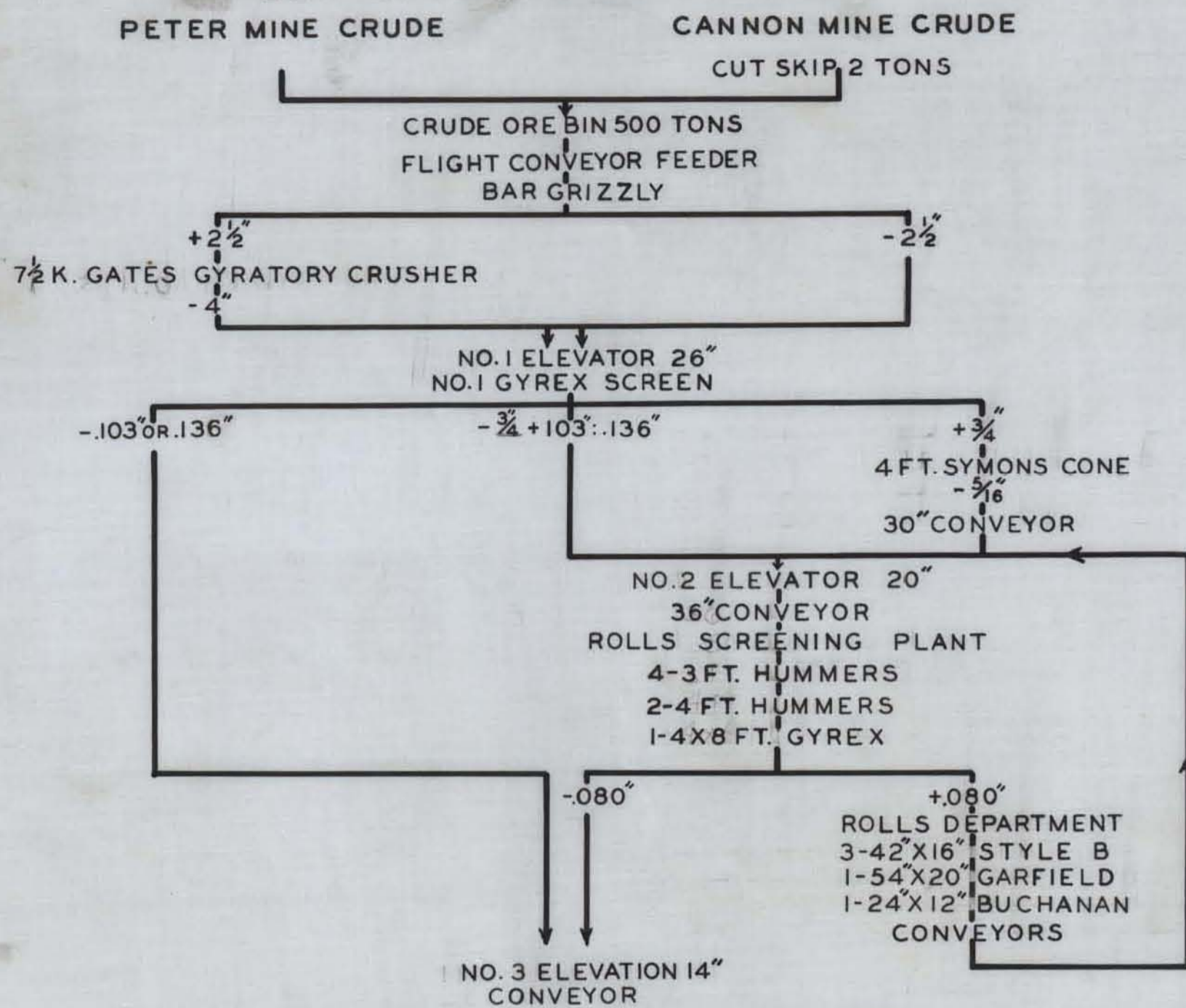


FLOW SHEET
 RICHARDS MINE MILL
 DOVER N. J.

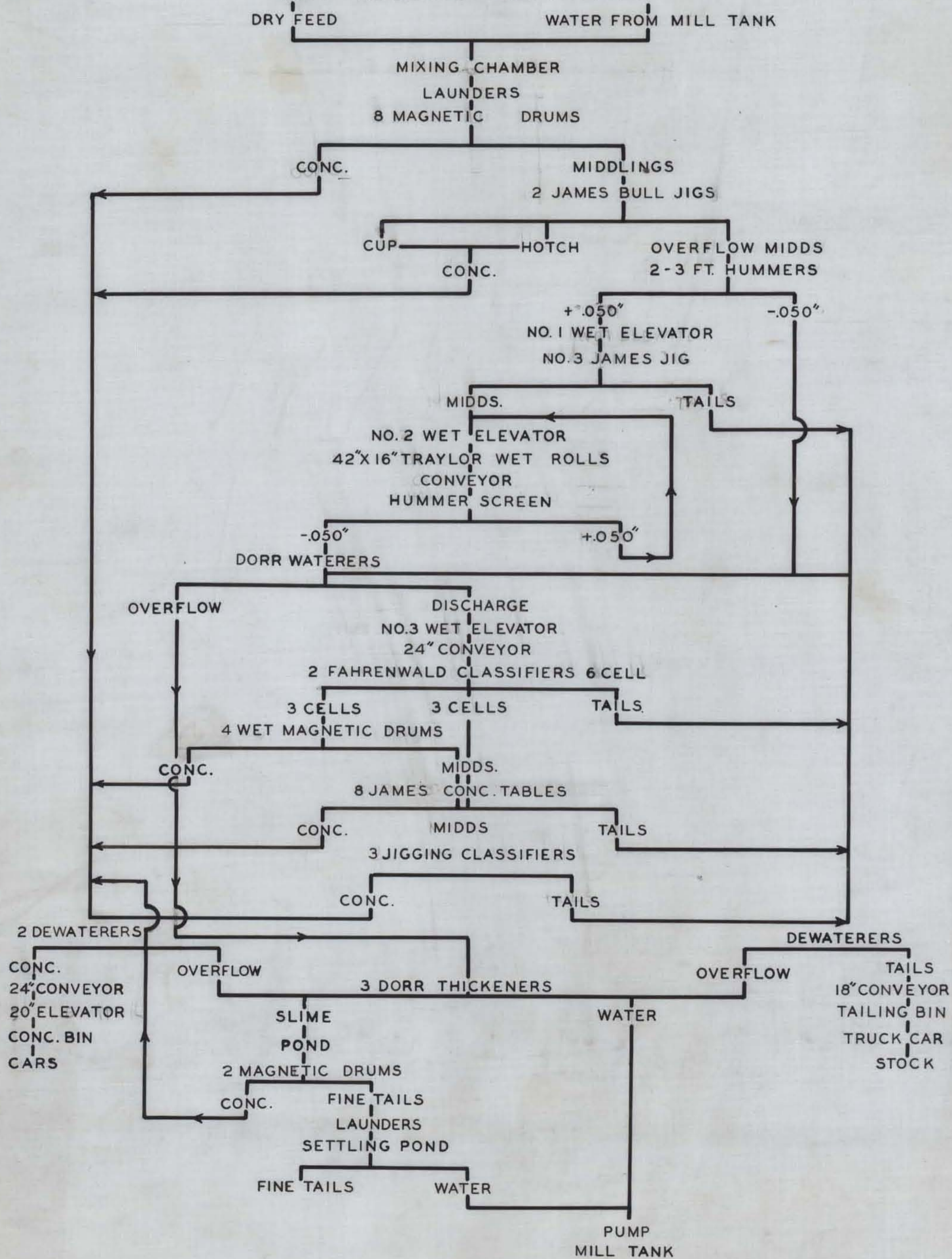
CONCENTRATING MILL FLOW SHEET

JULY 1929-JUNE 1931

DRY CRUSHING DEPARTMENT



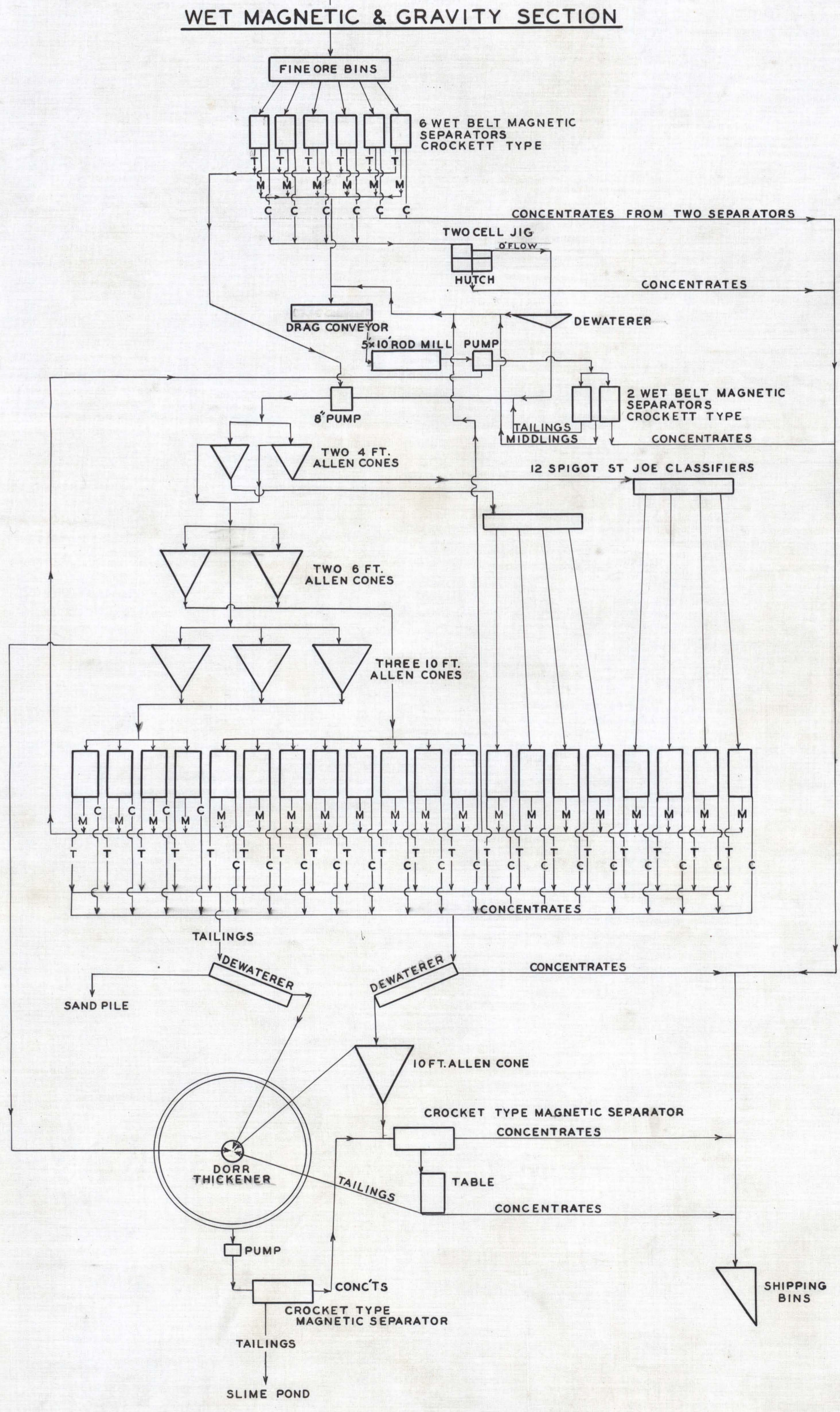
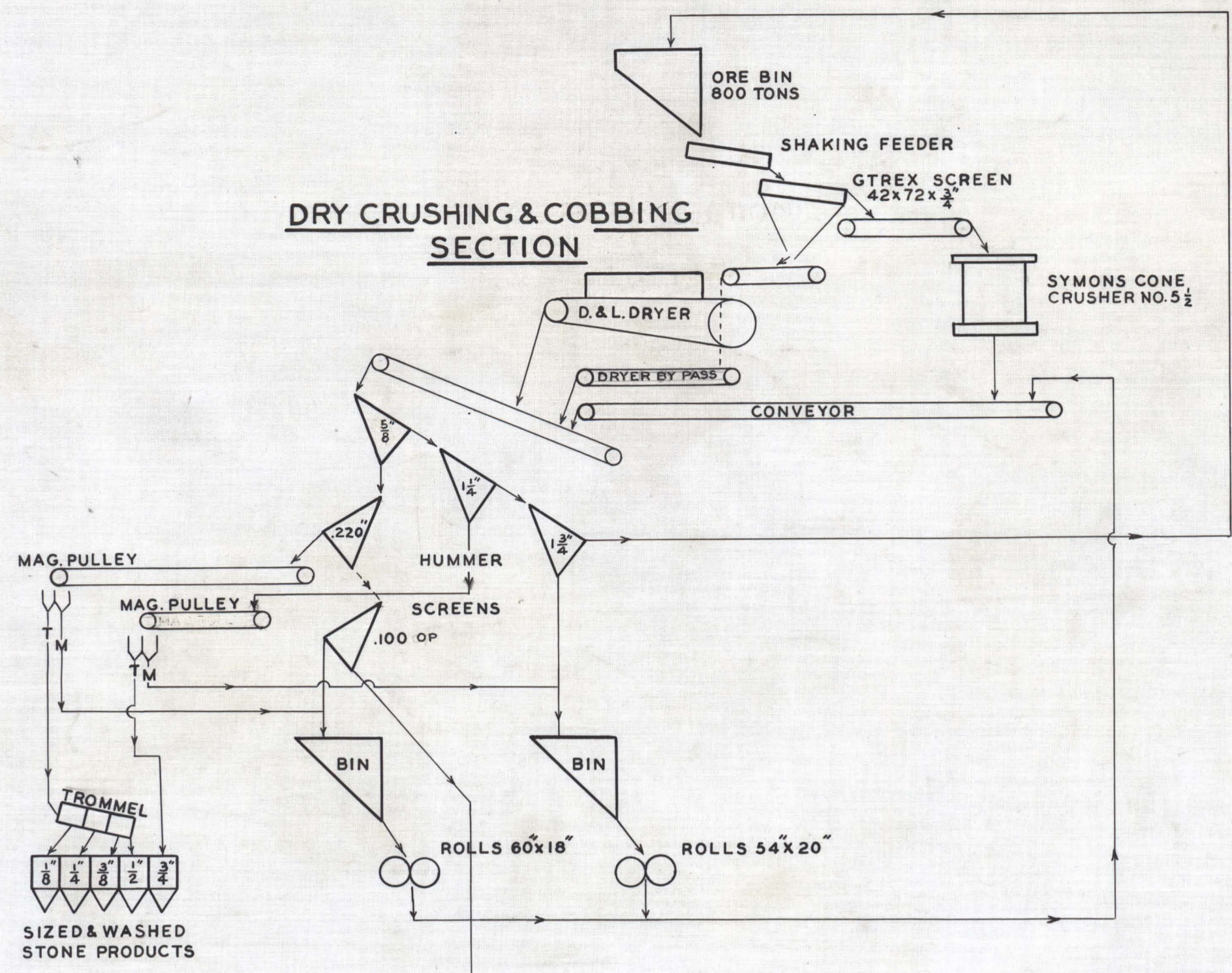
WET MILLING DEPARTMENT



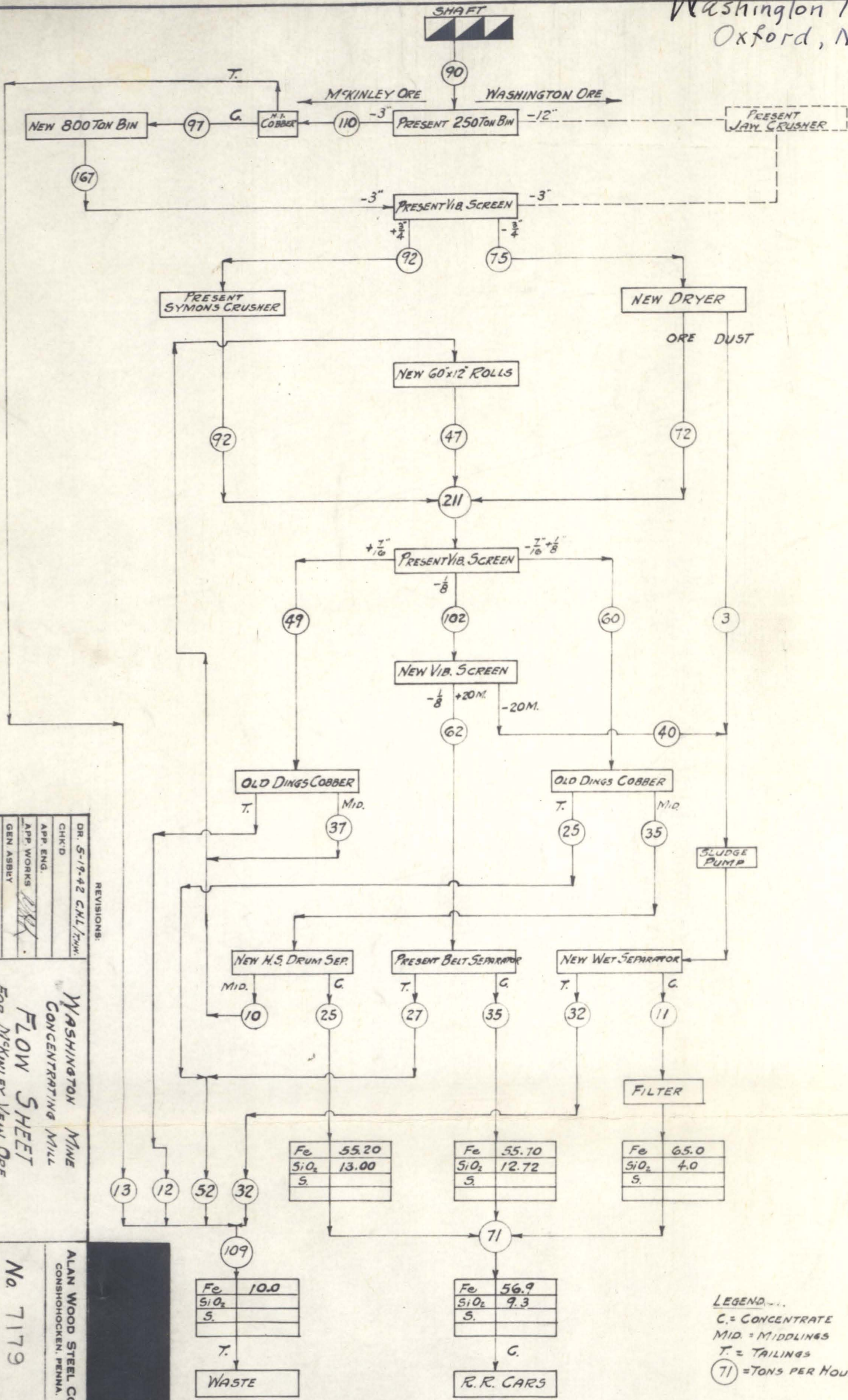
RINGWOOD COMPANY

RINGWOOD N. J.

SEPT. 1935



FLOW SHEET OF
IRON ORE CONCENTRATING PLANT AT
SCRUB OAKS MINE
ALAN WOOD MINING CO.
DOVER N. J. SEPT. 1935



REVISIONS:

DR. 5-19-42 C.H.L./T.M.W.
CHK'D
APP. ENG.
APP. WORKS
GEN. ASBRY
SCALE NONE

WASHINGTON MINE
CONCENTRATING MILL
FLOW SHEET
FOR MCKINLEY VEIN ORE

ALAN WOOD STEEL CO.
CONSHOHOCKEN, PENNA.
No. 7179

Fe	55.20
SiO ₂	13.00
S.	

Fe	55.70
SiO ₂	12.72
S.	

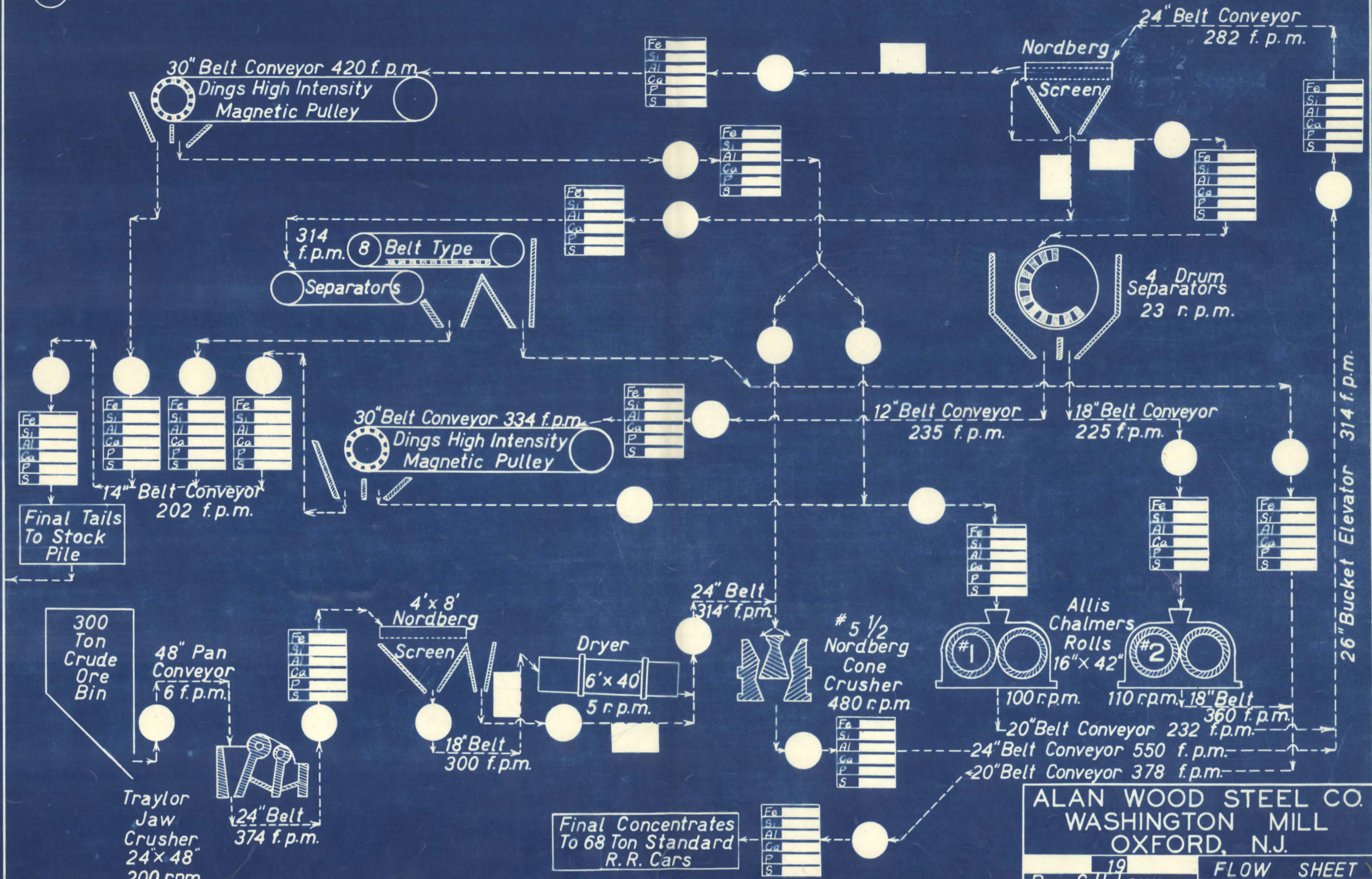
Fe	65.0
SiO ₂	4.0
S.	

Fe	10.0
SiO ₂	
S.	

Fe	56.9
SiO ₂	9.3
S.	

LEGEND...
C = CONCENTRATE
MID. = MIDDINGS
T = TAILINGS
(71) = TONS PER HOUR

Tons per hour



ALAN WOOD STEEL CO.
 WASHINGTON MILL
 OXFORD, N.J.

19
 By - C.H. Loux
 Drn by - J.D. Odgers.

FLOW SHEET
 3-1042

as of 5-25-42