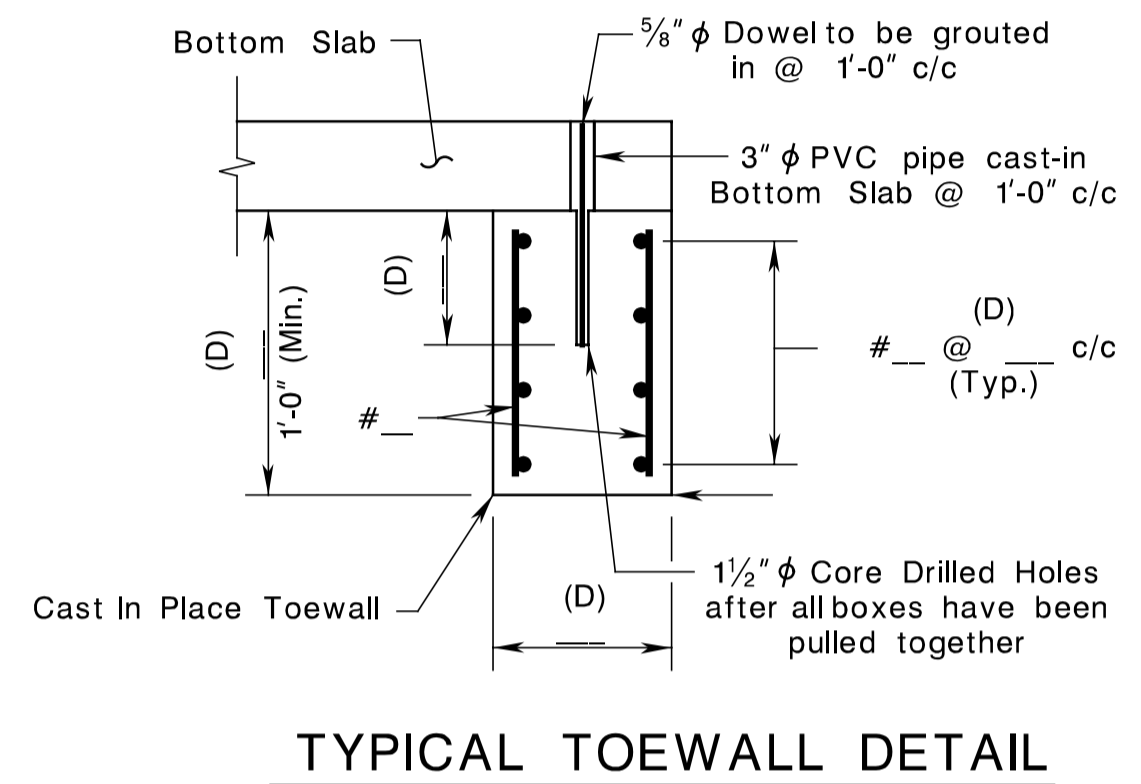
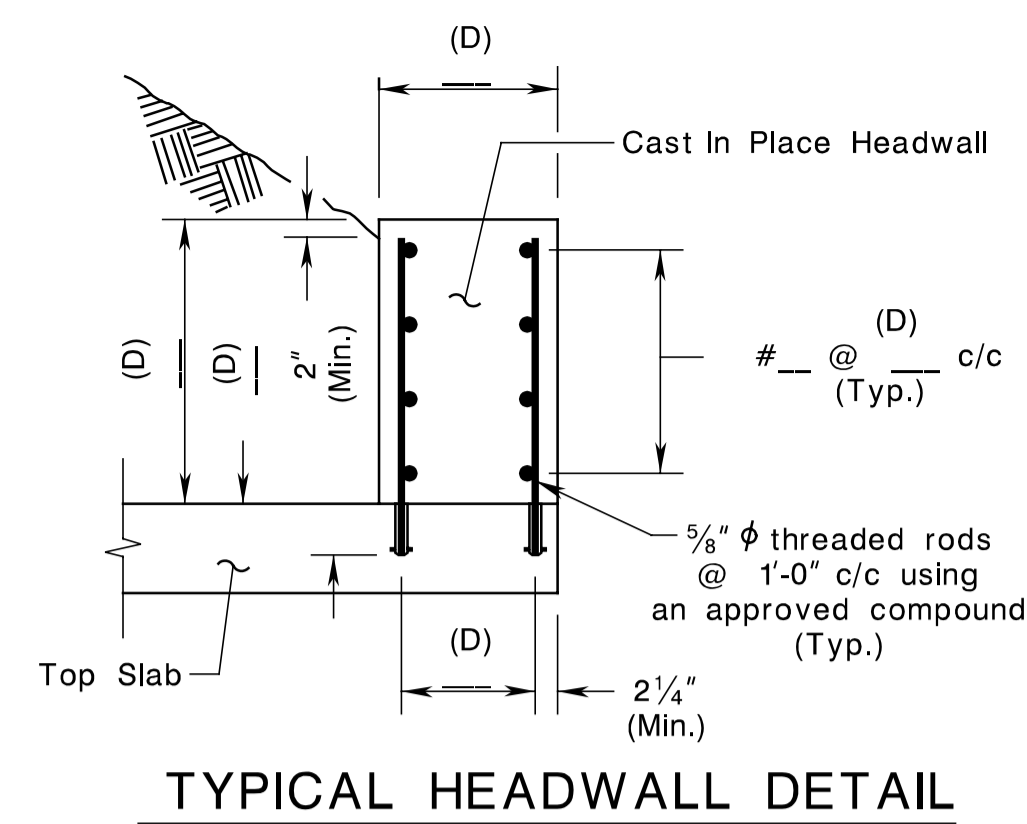
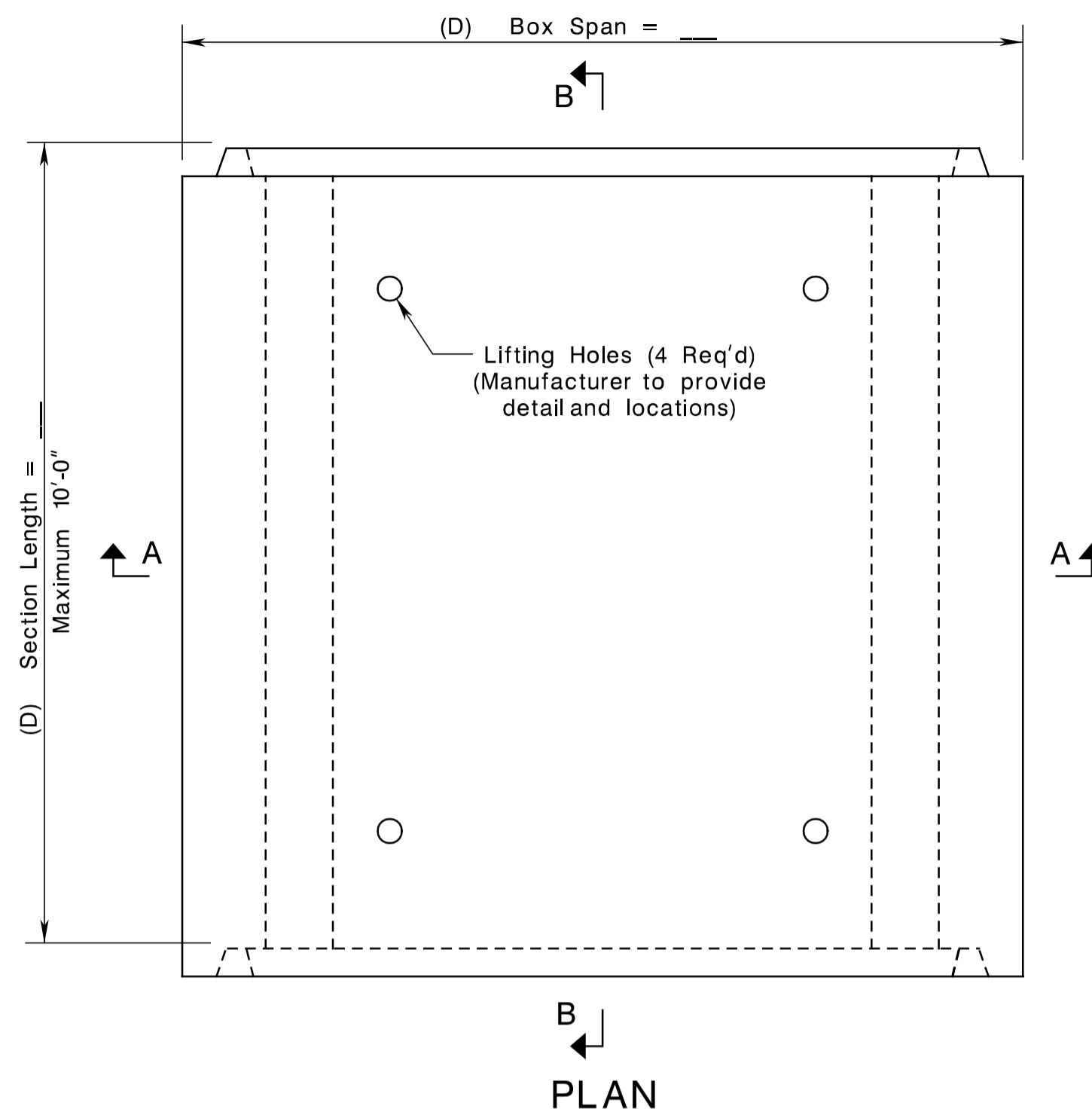
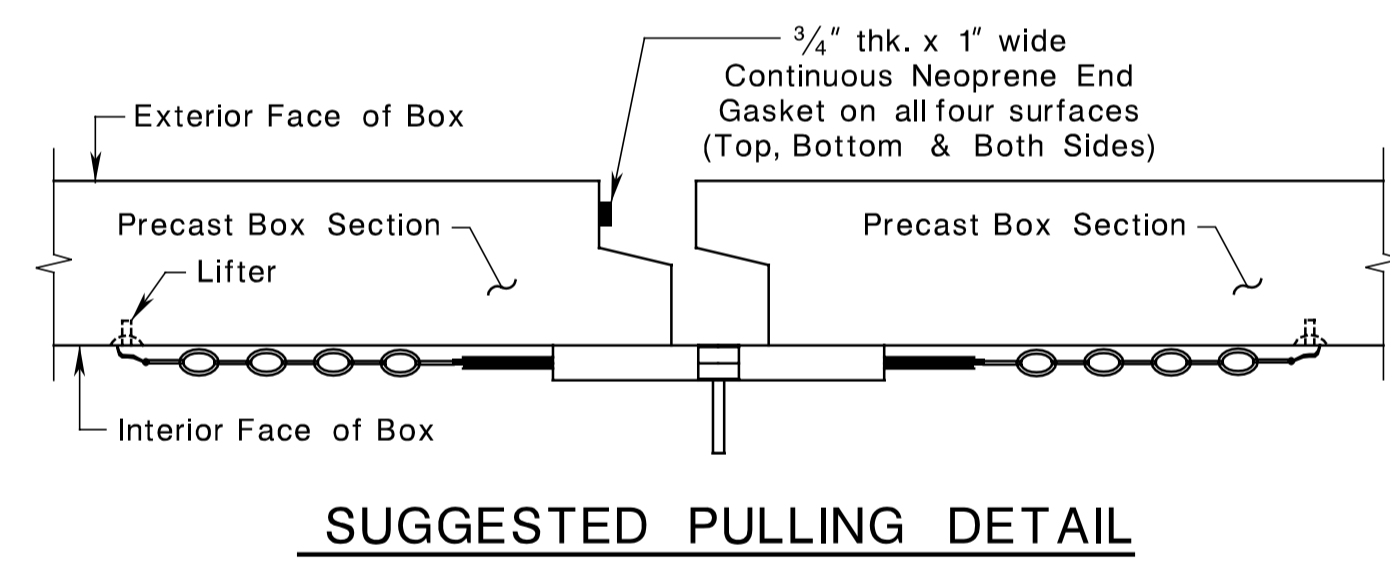
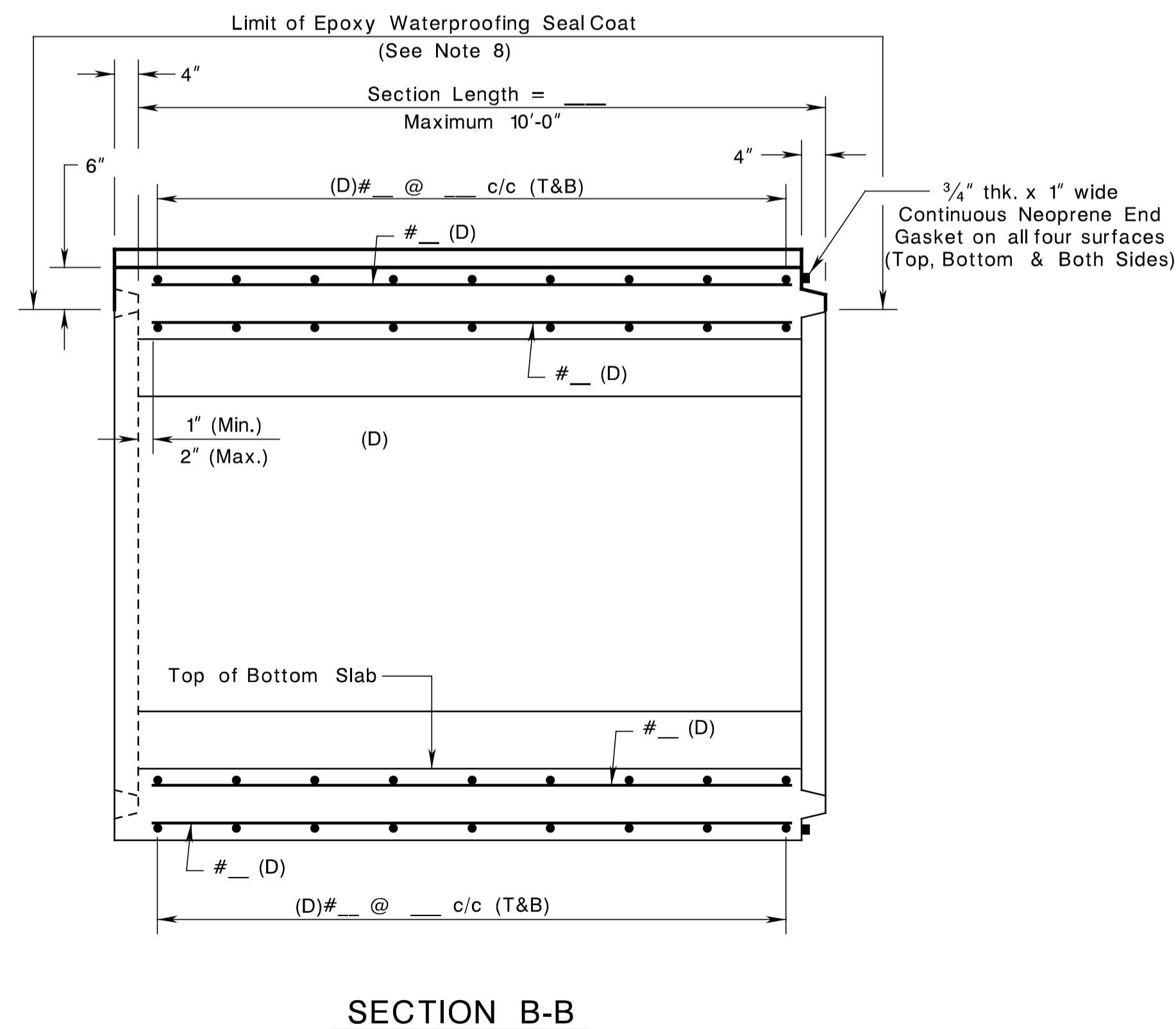
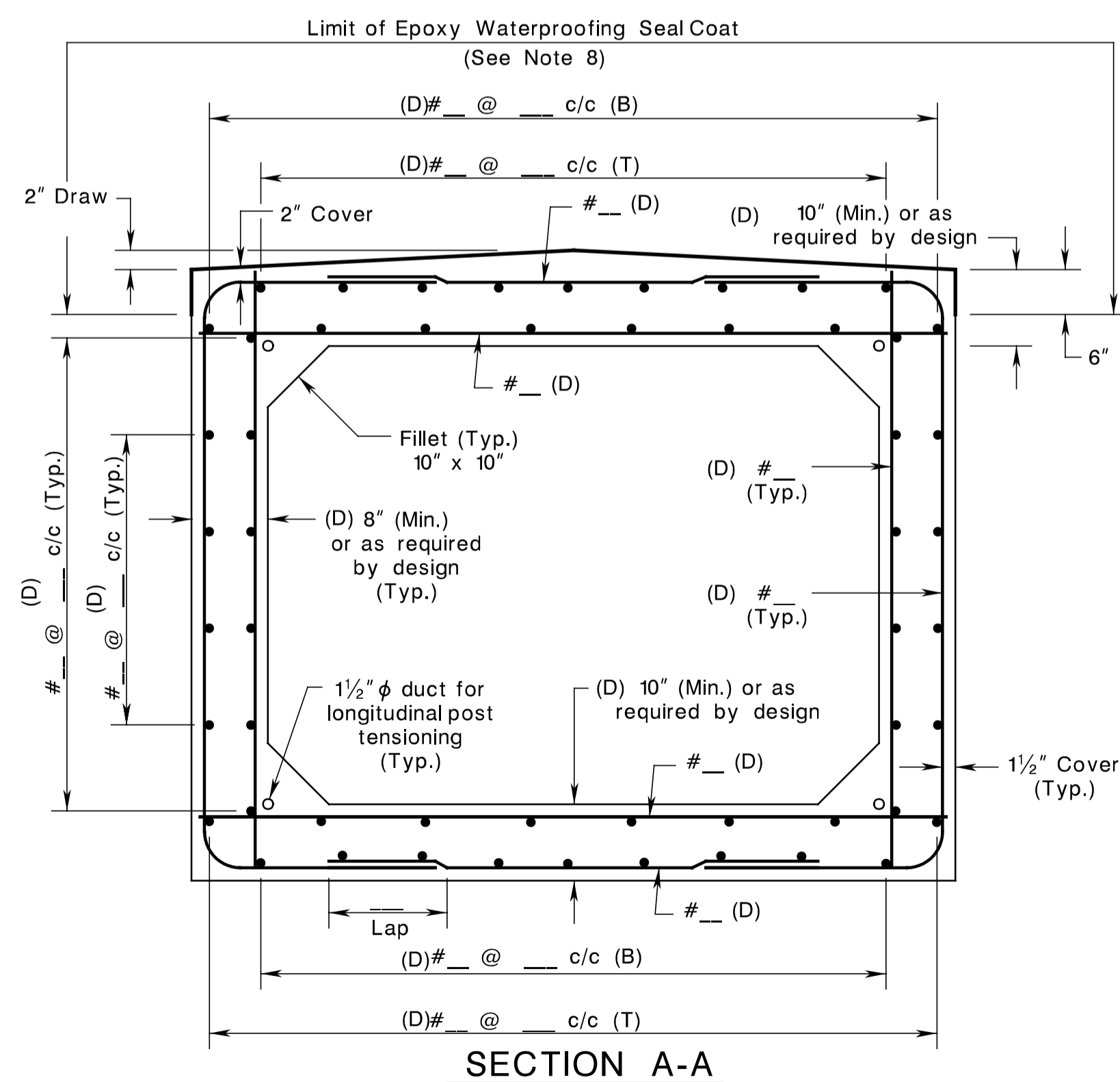


STATE	FEDERAL PROJECT NO.	SHEET	TOTAL SHEETS
N. J.			
STRUCTURE NO.			
STRUCTURE NAME			



- NOTES:
1. Precast reinforced concrete box sections shall not be used where the top slab is to be used as a riding surface.
 2. Size and spacing of rebars shall be provided by the box culvert manufacturer and be submitted for approval. Manufacturer shall provide calculations signed and sealed by a Licensed Engineer in the State of New Jersey.
 3. Lap slices and development lengths shall be determined by the designer in accordance with current AASHTO design criteria. The top mat of reinforcement in the top slab shall be corrosion protected when the earth fill over the precast culvert is less than 2'-0". (Refer to section 26 of this manual for types of corrosion protected reinforcement steel that can be used)
 4. All lifting holes shall be filled with non-shrink grout. After the grout has cured, the area shall be coated with an epoxy waterproofing seal coat.
 5. A plastic waterstop shall be provided to prevent water from entering vertical joints between the end of precast culvert sections and any cast in place appurtenances such as wingwalls, cut off walls, aprons and cast in place culvert end sections.
 6. Precast end sections shall be approved on project to project basis. Short wall of the end section shall not be less than 3'-0".
 7. The cost of shop and field applied waterproofing seal coat shall be included in the price bid for the item, "Reinforced Concrete Box Culvert, Precast".
- (D) 8. If Cast-In-Place end sections are used, provide two rows of threaded inserts in the precast unit to facilitate the attachment of end section.
- * Designer shall provide connection details.



NOTE TO THE DESIGNER:
The designer shall complete all the title block information and items designated with (D) prior to including any PLATES into the contract plans.

* Remove this note at final submission.

CONTROL SECTION	JOB NO.
DES. BY	CHK. BY
DWN. BY	CHK. BY
EST. BY	CHK. BY
SPECS. BY	
IN CHARGE OF	

BDC04MB-01

STANDARD DRAWING PLATE 2.11-2

NEW JERSEY DEPARTMENT OF TRANSPORTATION
BUREAU OF STRUCTURAL ENGINEERING

SINGLE CELL PRECAST R.C. BOX CULVERT
CULVERT DETAILS

ROUTE _____ SECTION _____

MUNICIPALITY _____ COUNTY _____

SCALE: _____

SHEET NO. _____ OF _____

pen table = E:\System\pilot\PLA\Non-Roadway\bridge.tbl
 scale = 0.084657:1.000000
 date = 18-FEB-2005 15:46
 ID = 16412300