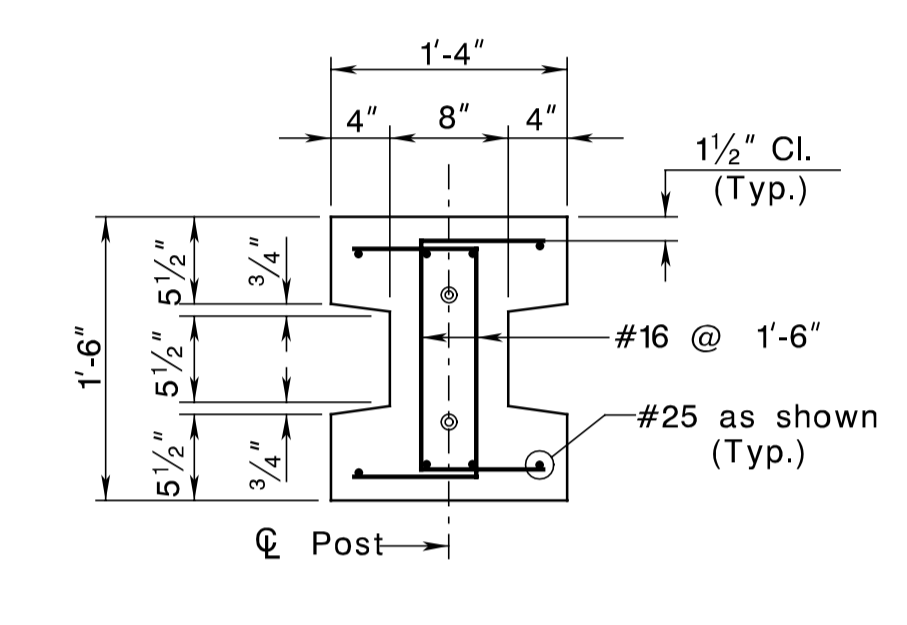
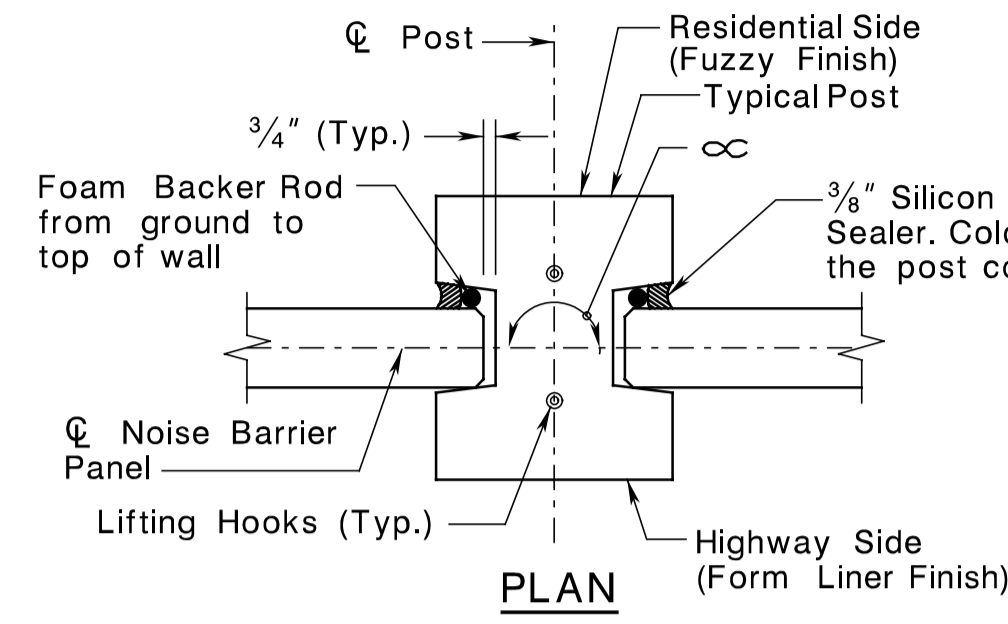
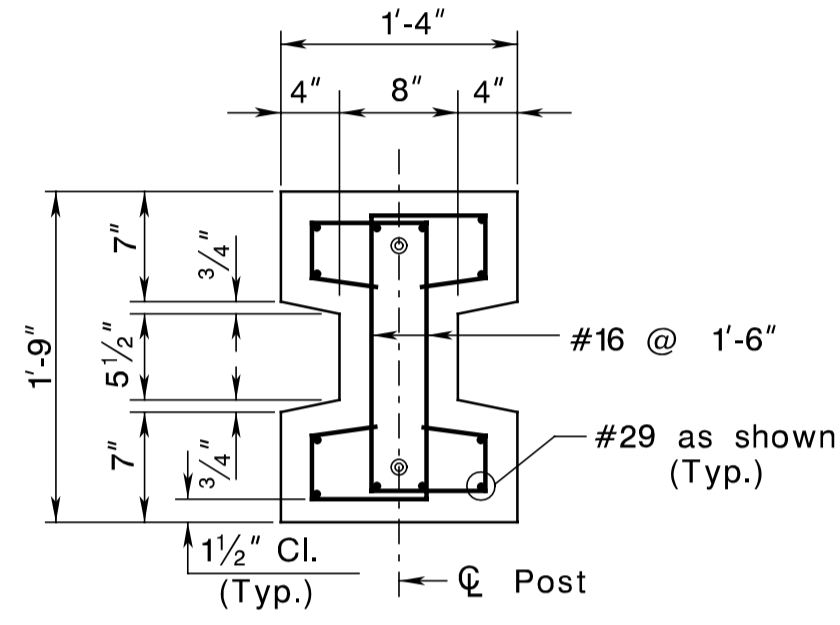
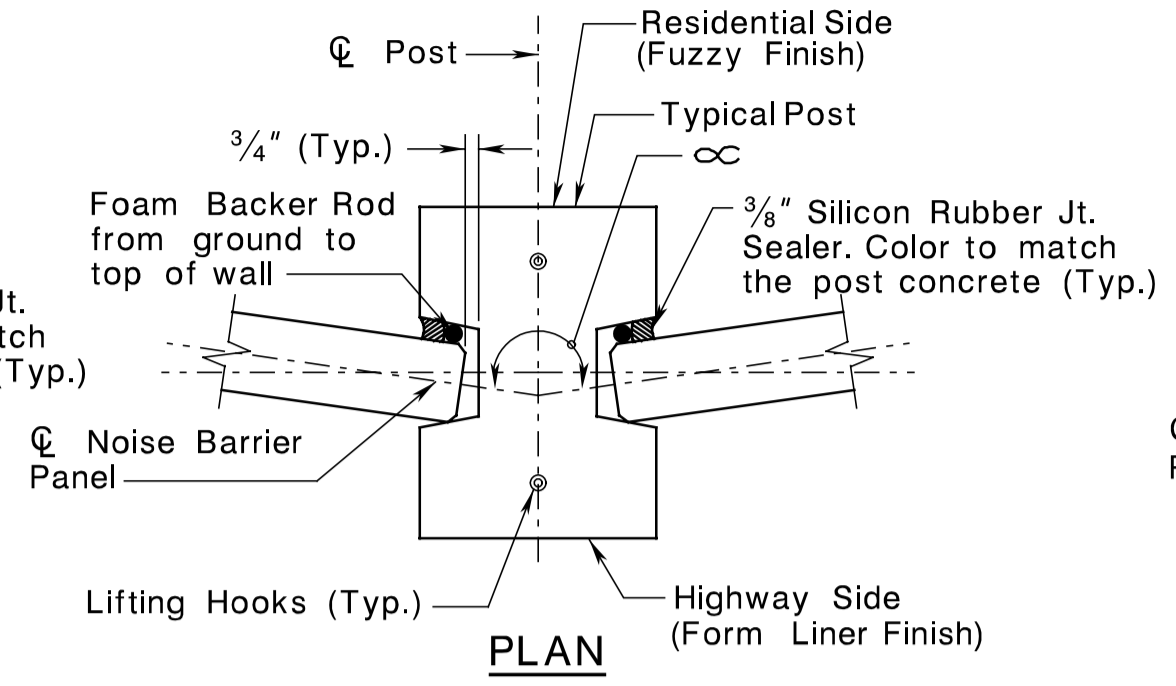


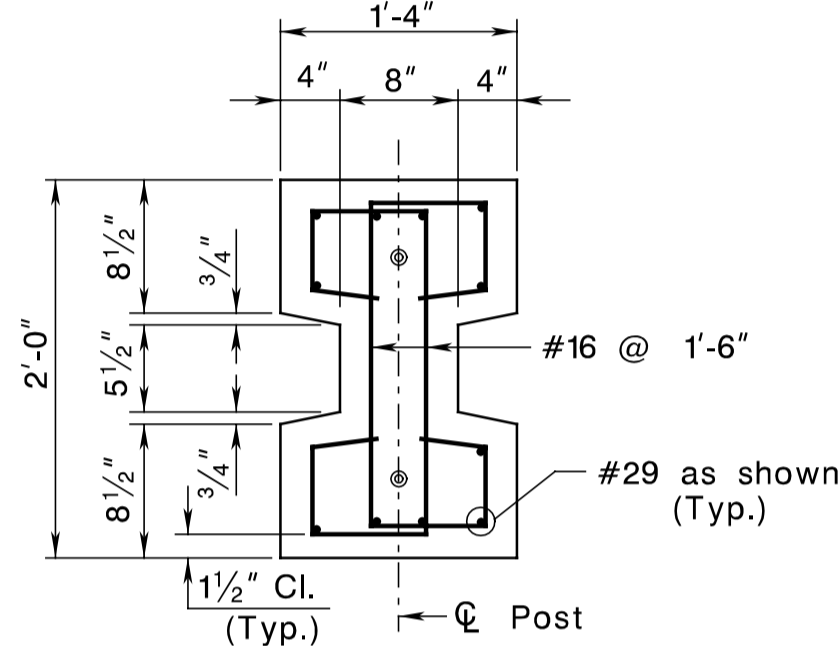
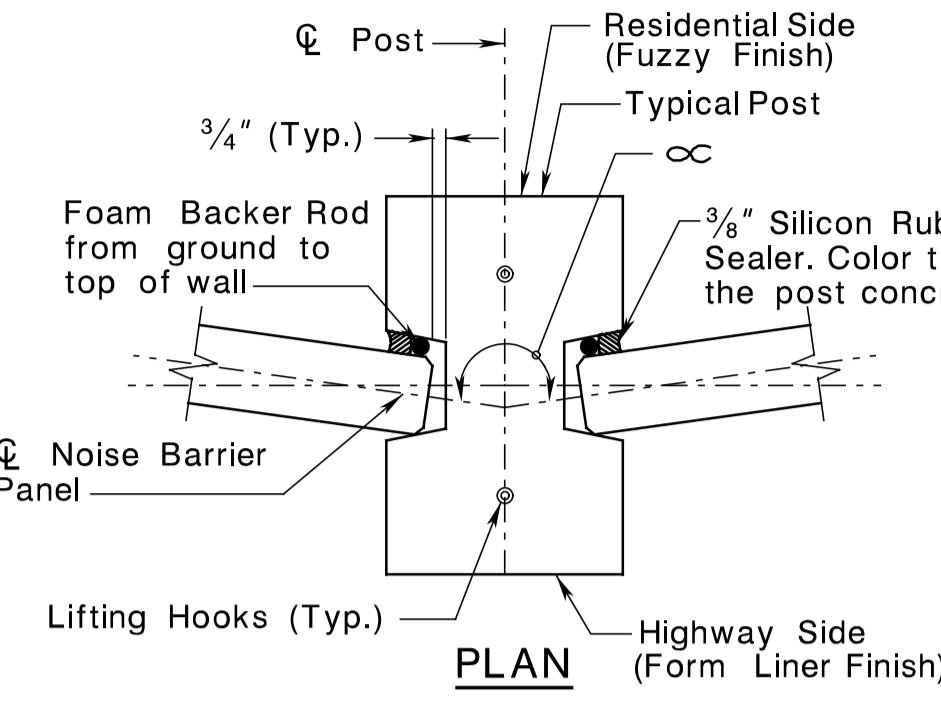
pen table = E:\System\pilot\PLA\Non-Roadway\bridge.tbl  
 scale = 0.084657:1.000000  
 date = 18-FEB-2005 15:35  
 ID = 16412300



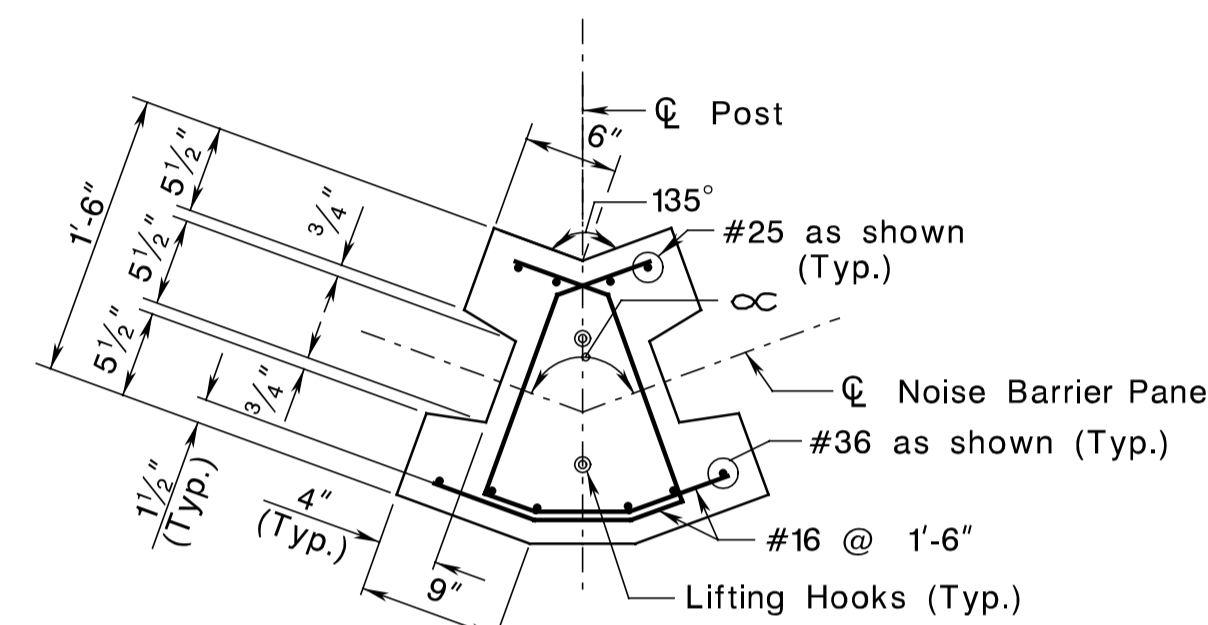
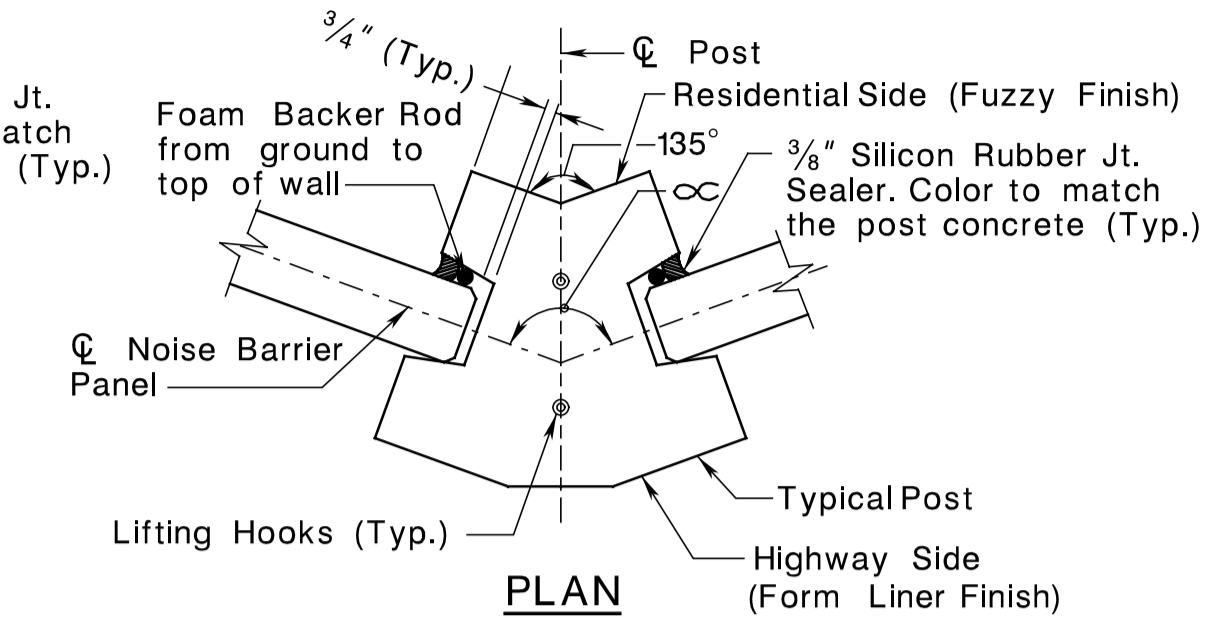
SECTION OF POST TYPE "A"  
 POST HEIGHT  $\leq 16'-5"$  &  $160^\circ \leq \infty \leq 200^\circ$



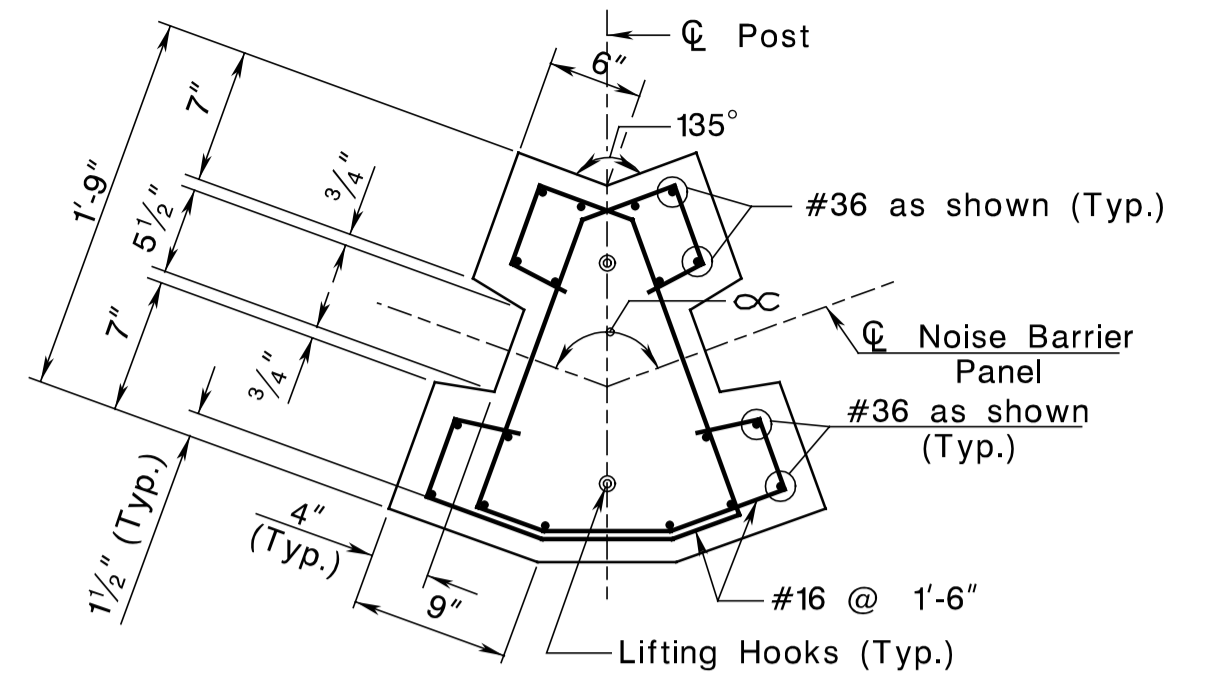
SECTION OF POST TYPE "B"  
 $16'-5" < \text{POST HEIGHT} \leq 21'-4"$  &  $160^\circ \leq \infty \leq 200^\circ$



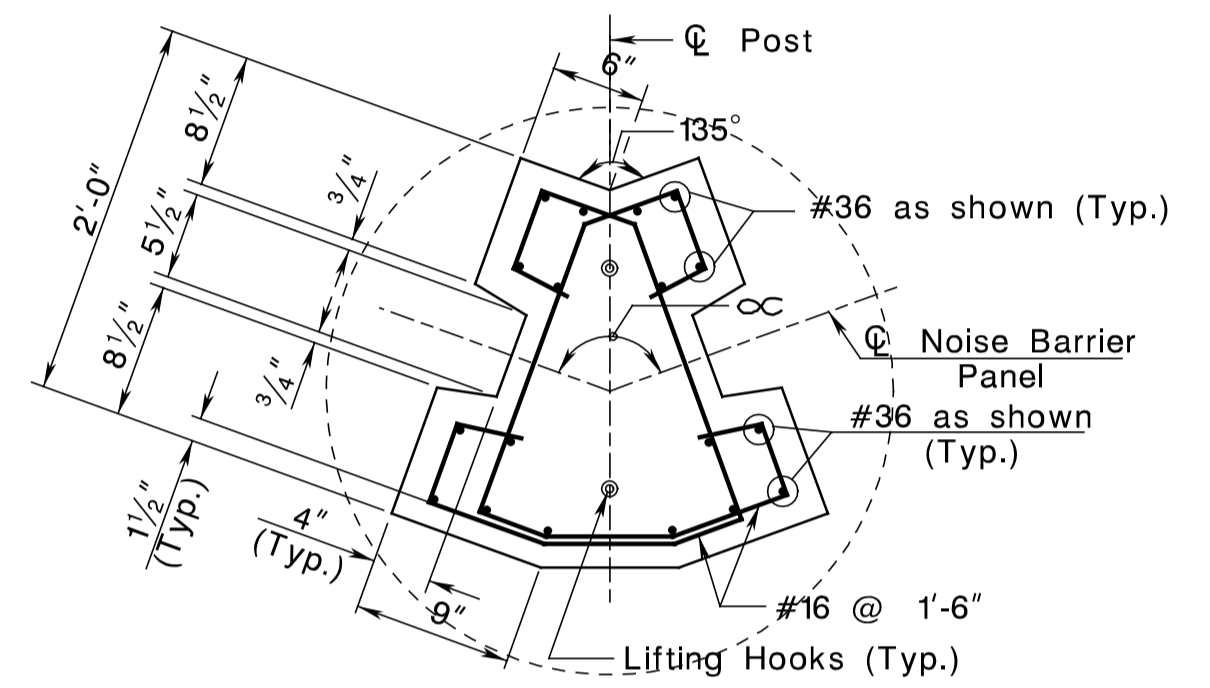
SECTION OF POST TYPE "C"  
 $21'-4" < \text{POST HEIGHT} \leq 26'-3"$  &  $160^\circ \leq \infty \leq 200^\circ$



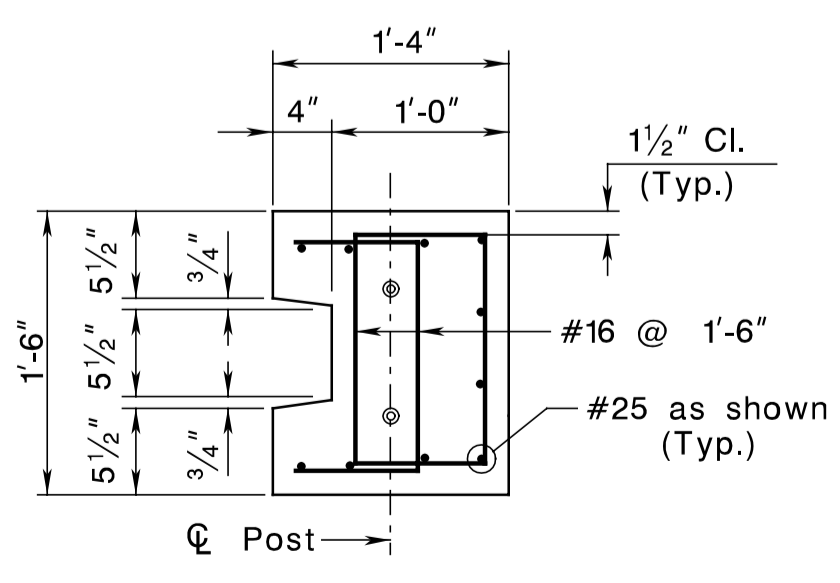
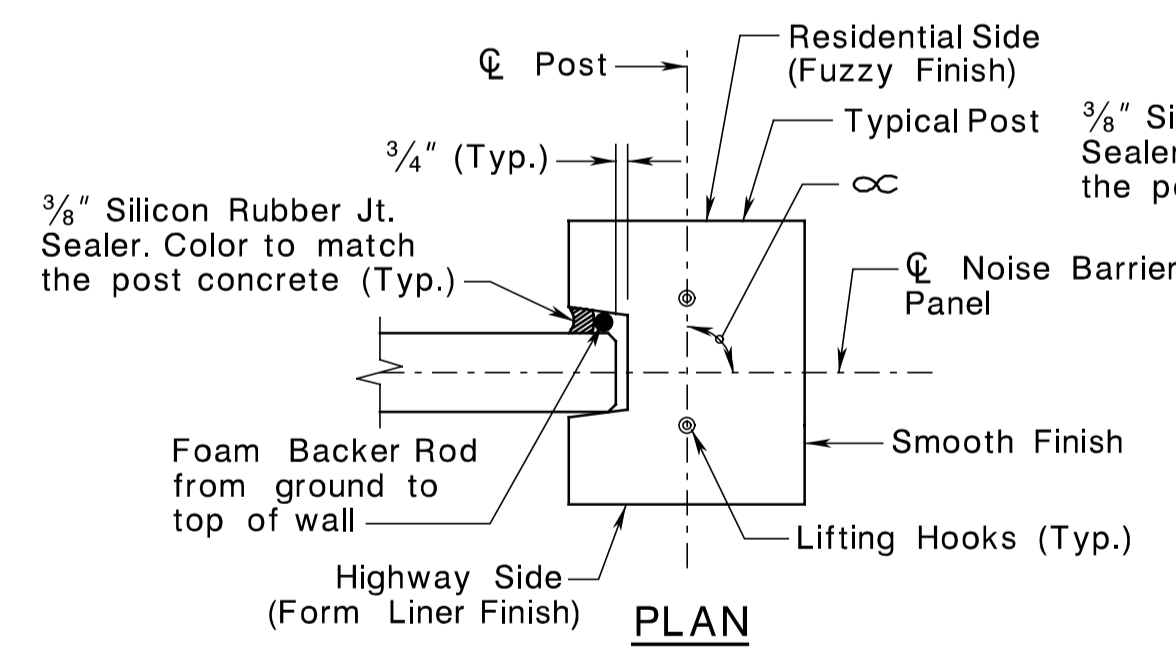
SECTION OF POST TYPE "KA"  
 POST HEIGHT  $\leq 16'-5"$  &  $110^\circ < \infty < 160^\circ$



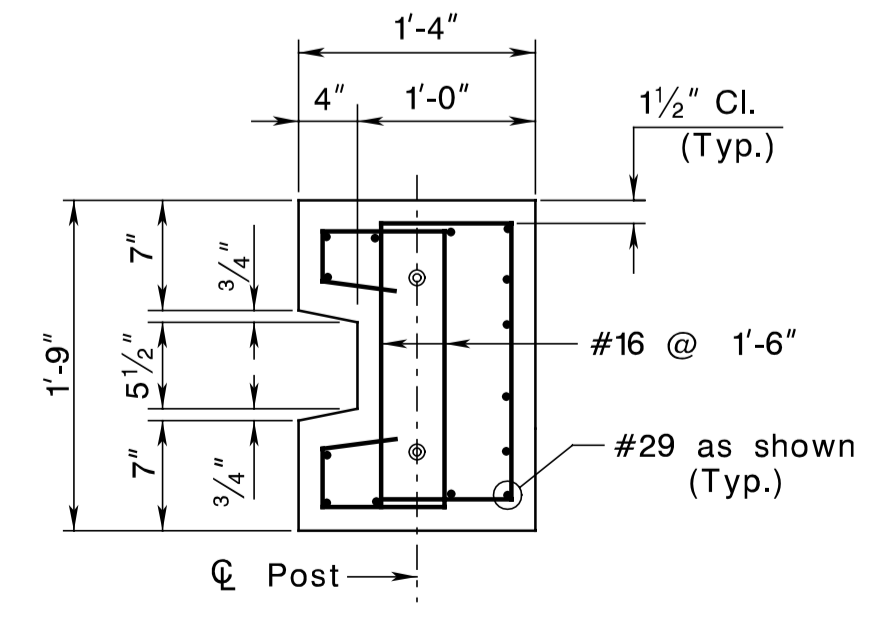
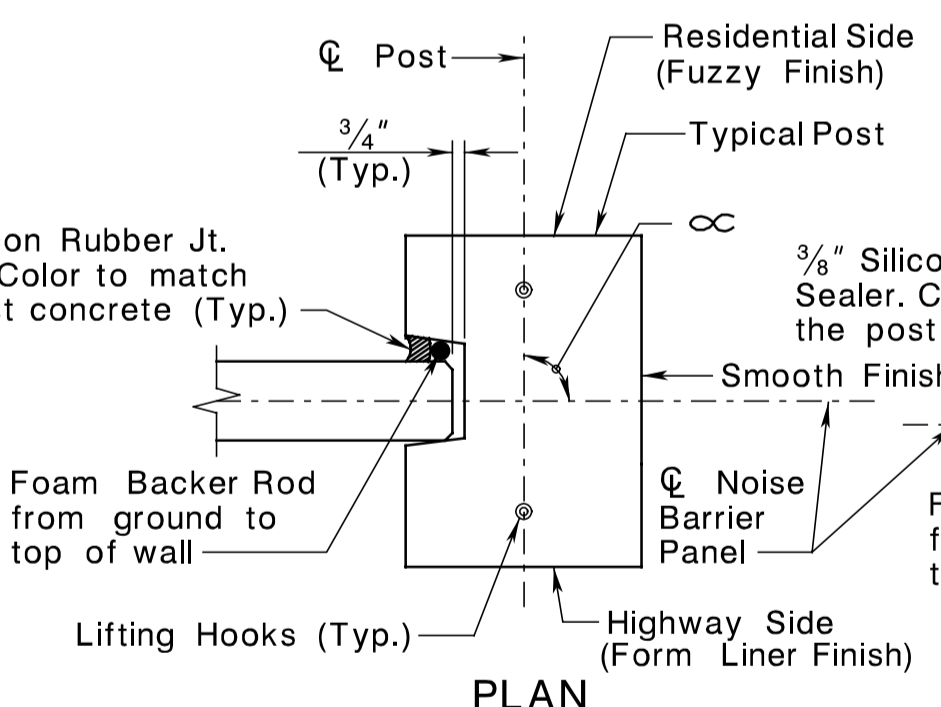
SECTION OF POST TYPE "KB"  
 $16'-5" < \text{POST HEIGHT} \leq 21'-4"$  &  $110^\circ < \infty < 160^\circ$



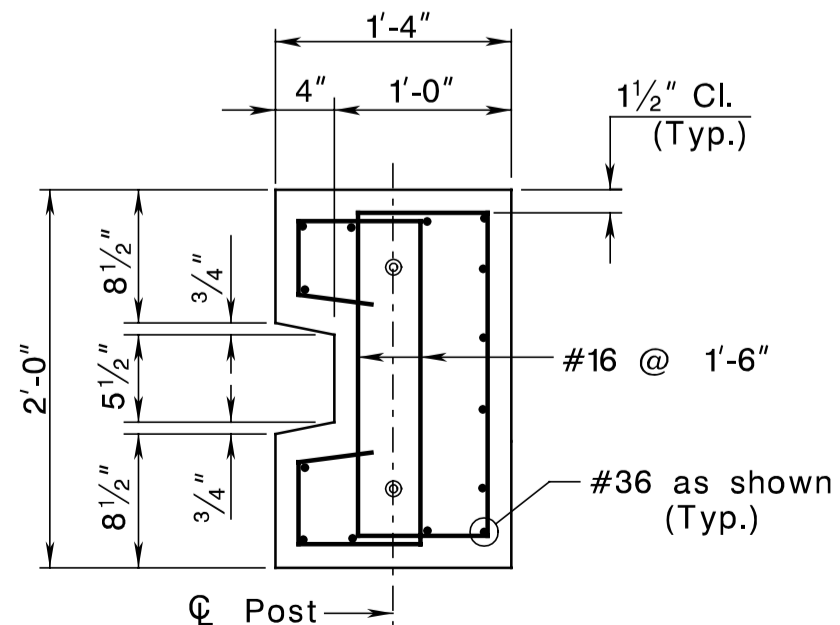
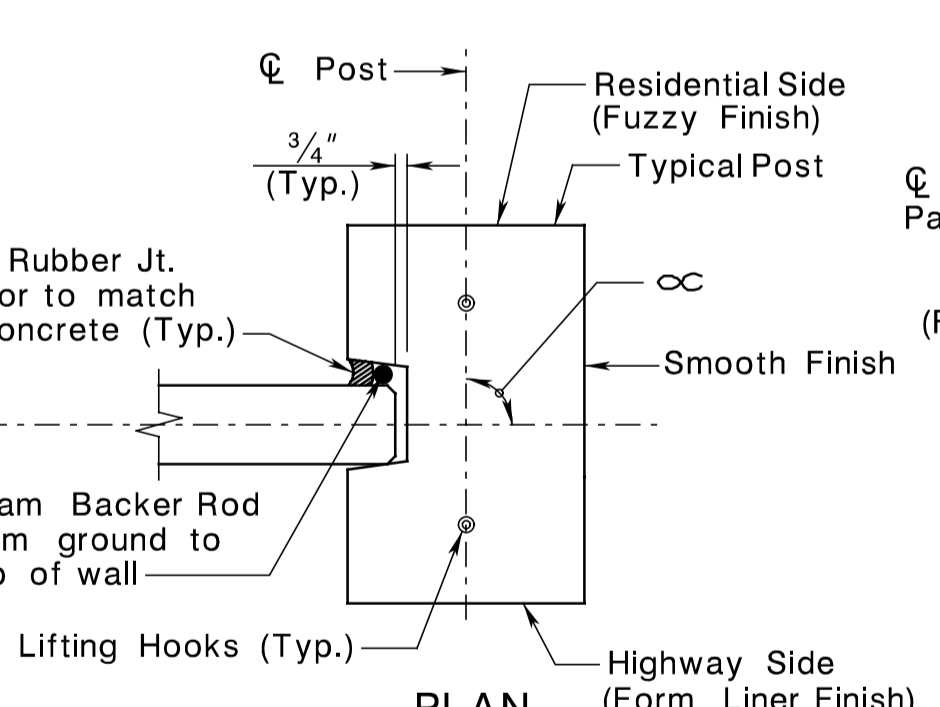
SECTION OF POST TYPE "KC"  
 $21'-4" < \text{POST HEIGHT} \leq 26'-3"$  &  $110^\circ < \infty < 160^\circ$



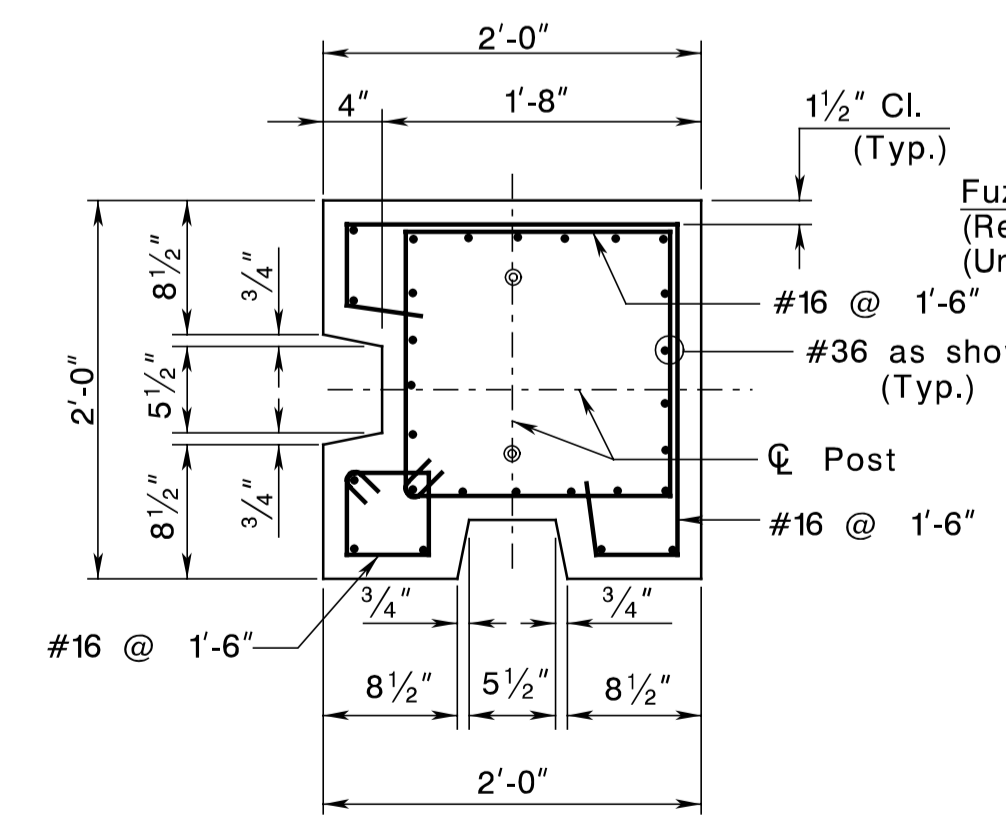
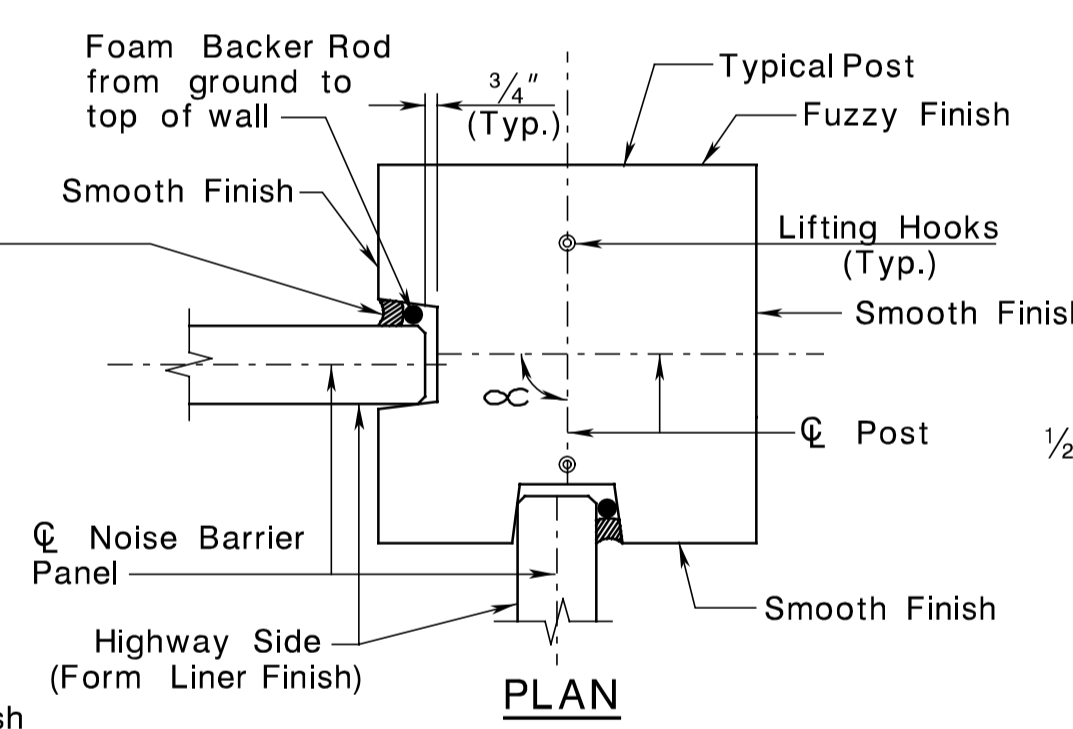
SECTION OF END POST TYPE "D"  
 POST HEIGHT  $\leq 16'-5"$  &  $70^\circ \leq \infty \leq 110^\circ$



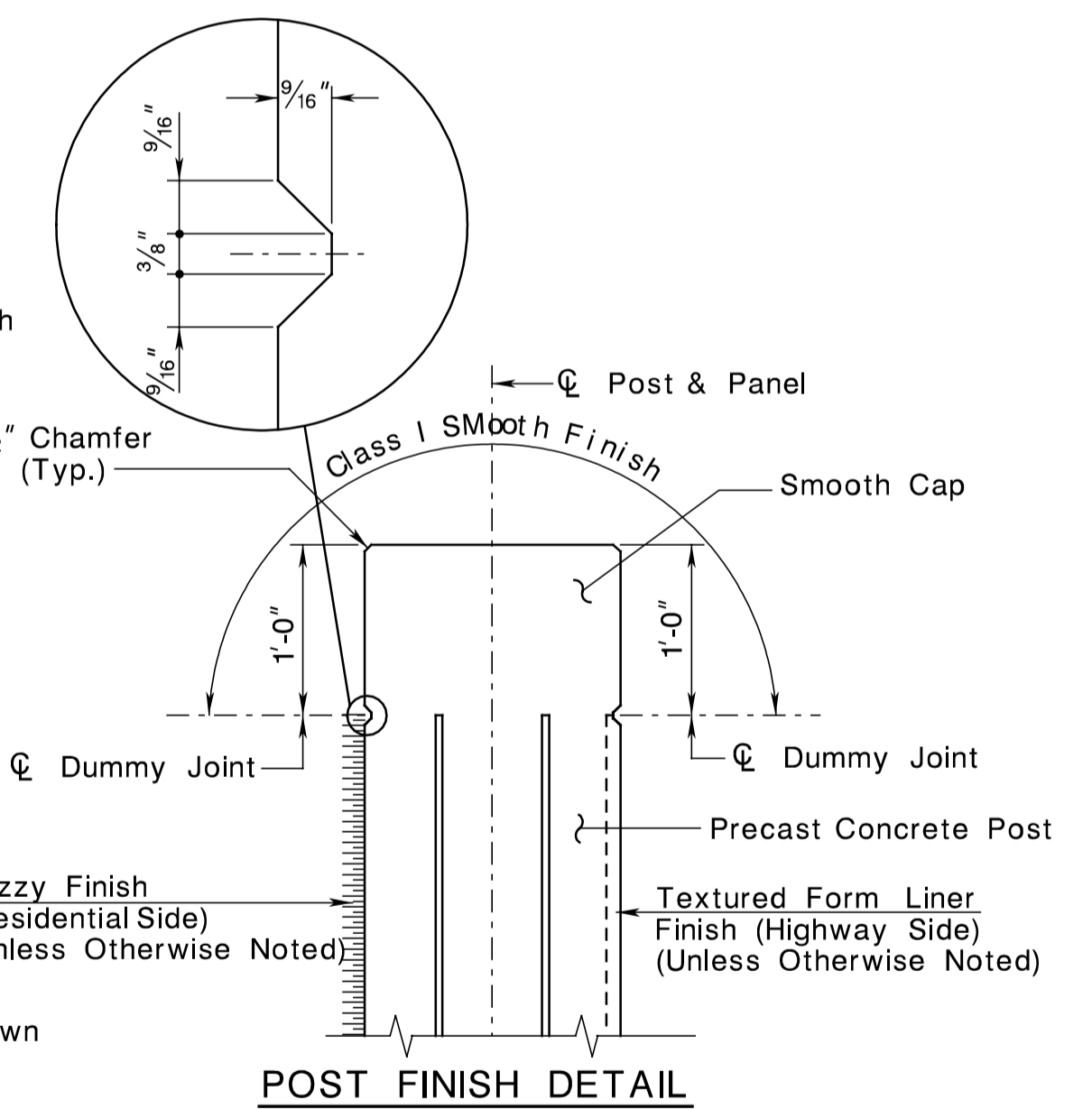
SECTION OF END POST TYPE "E"  
 $16'-5" < \text{POST HEIGHT} \leq 21'-4"$  &  $70^\circ \leq \infty \leq 110^\circ$



SECTION OF END POST TYPE "F"  
 $21'-4" < \text{POST HEIGHT} \leq 26'-3"$  &  $70^\circ \leq \infty \leq 110^\circ$



SECTION OF CORNER POST TYPE "LA"  
 POST HEIGHT  $\leq 26'-3"$  &  $70^\circ \leq \infty \leq 110^\circ$



STANDARD DRAWING PLATE 2.8-2  
 NEW JERSEY DEPARTMENT OF TRANSPORTATION  
 BUREAU OF STRUCTURAL ENGINEERING

NOISE WALL BARRIERS  
 PRECAST CONCRETE POST DETAILS

ROUTE \_\_\_\_\_ SECTION \_\_\_\_\_  
 MUNICIPALITY \_\_\_\_\_ COUNTY \_\_\_\_\_

CONTROL SECTION		JOB NO.	
DES. BY		CHK. BY	
DWN. BY		CHK. BY	
EST. BY		CHK. BY	
SPECS. BY		CHK. BY	
IN CHARGE OF _____			

REVISION	BY	CKD	DATE

SHEET NO. \_\_\_\_\_ OF \_\_\_\_\_