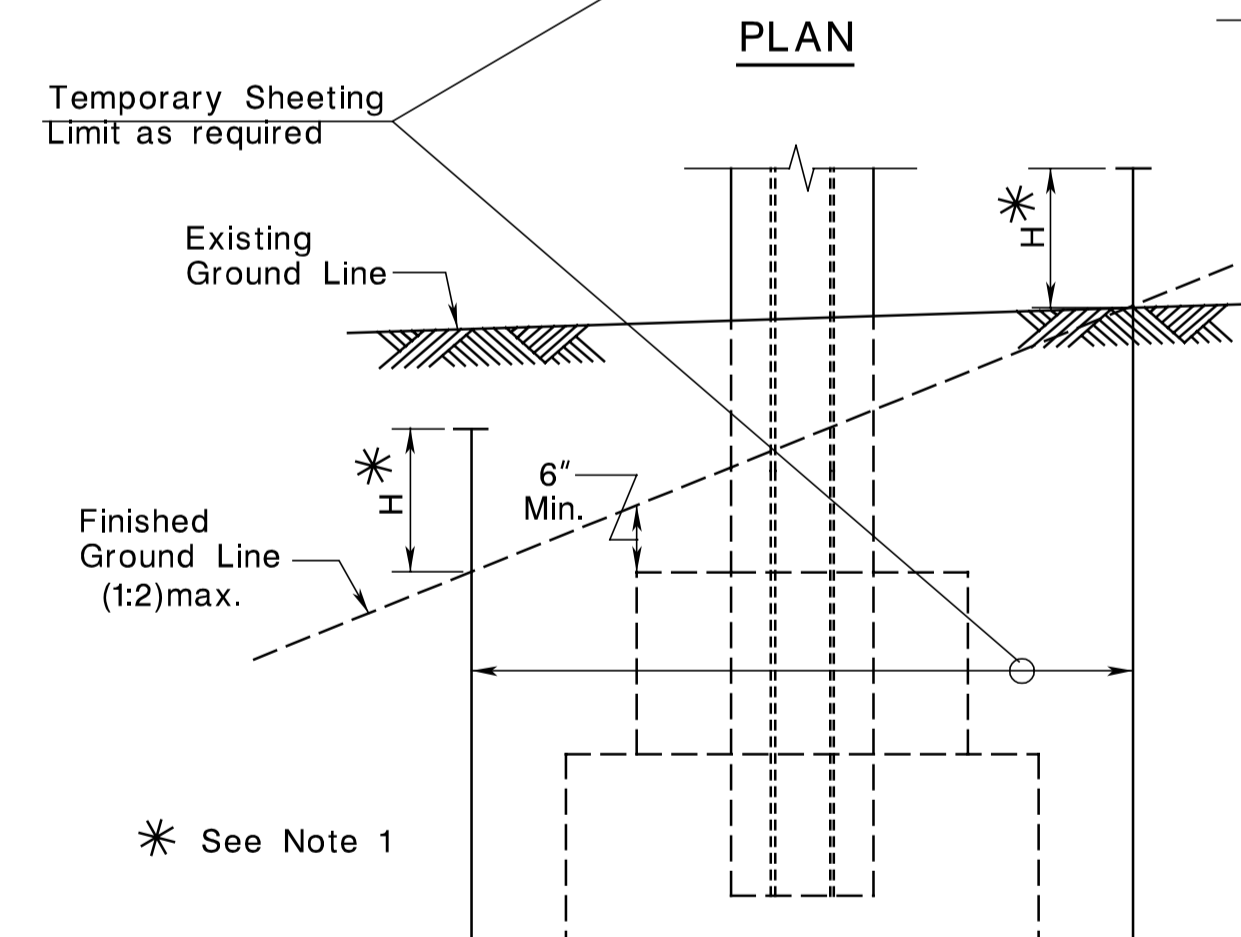
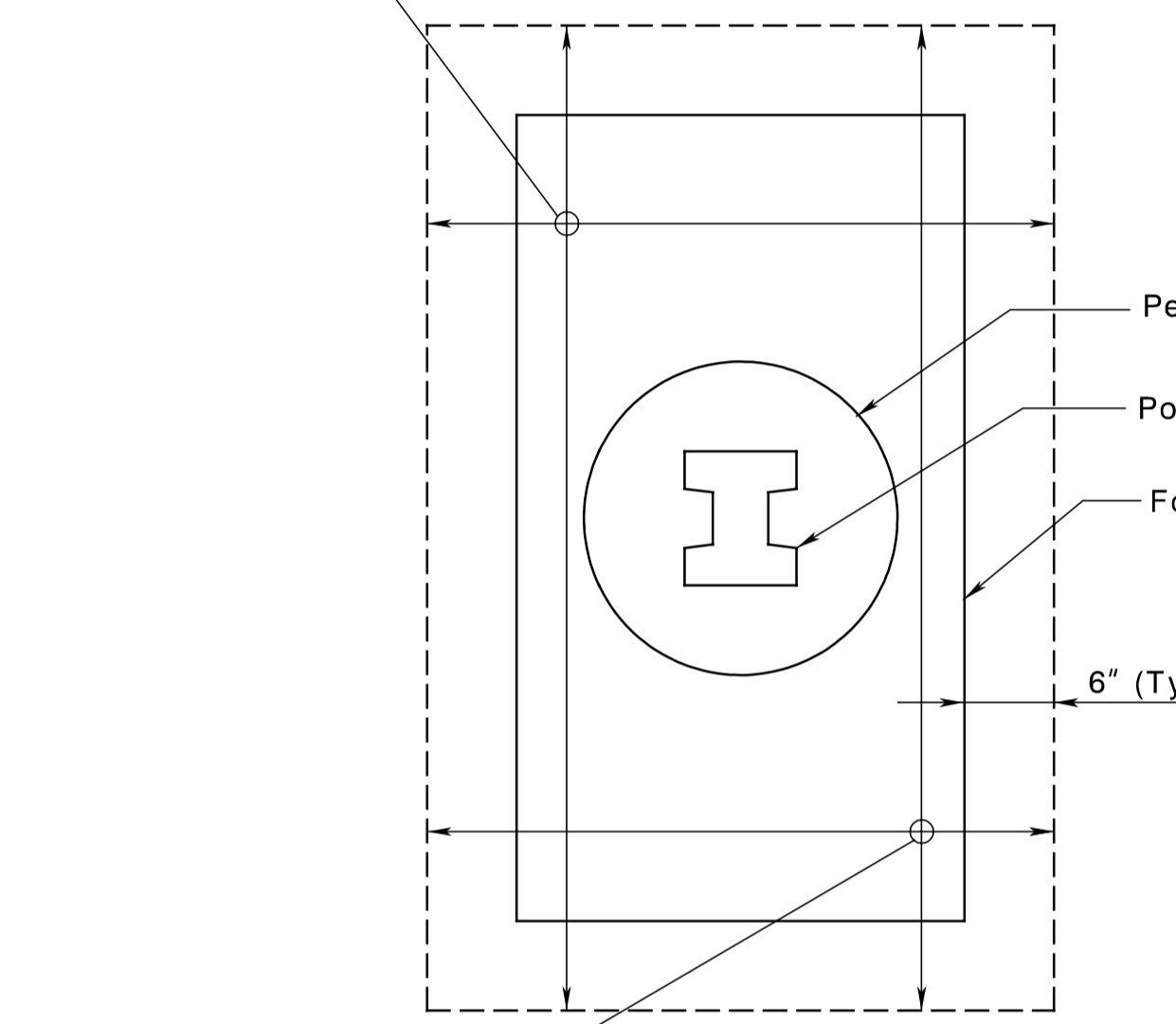
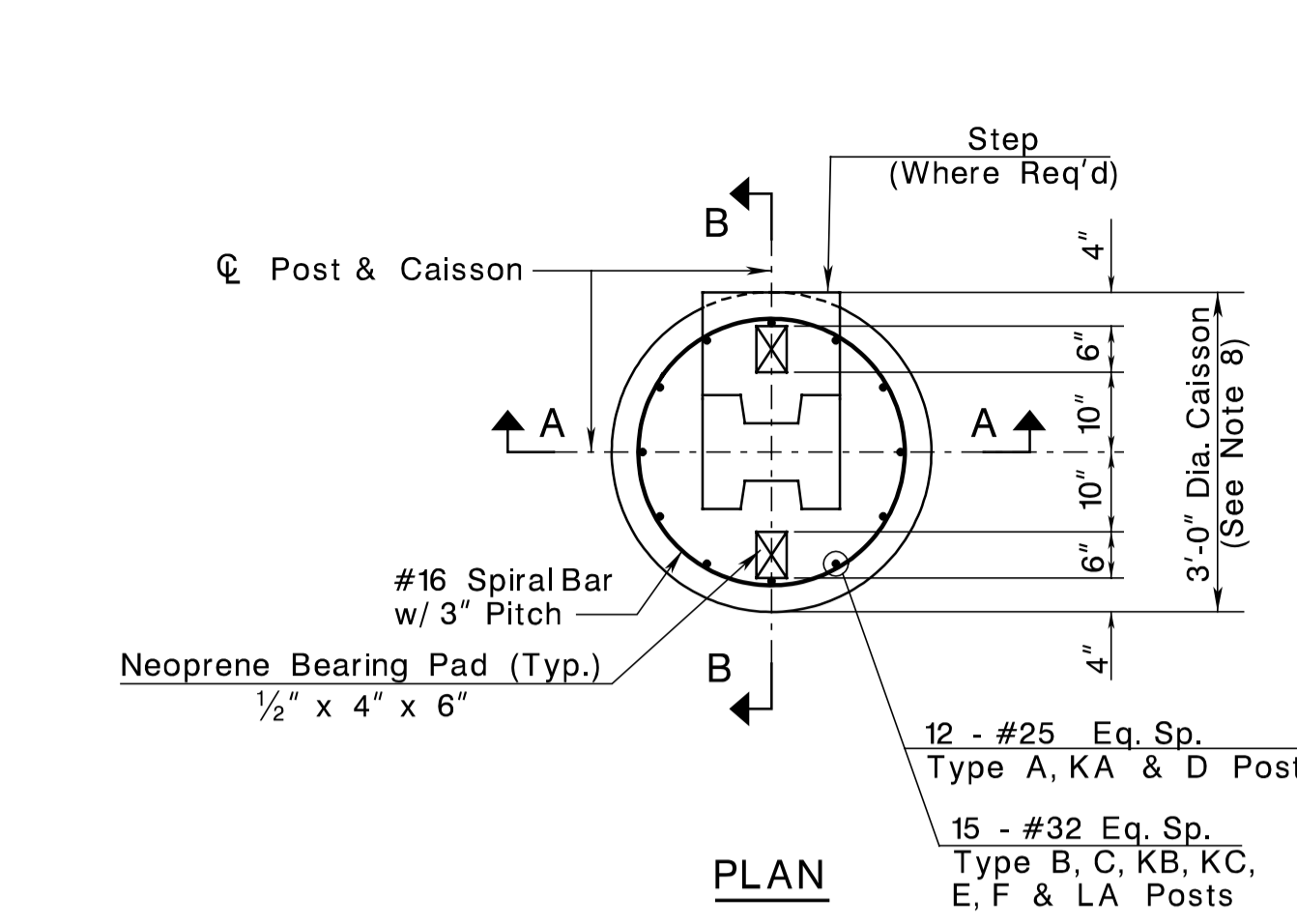


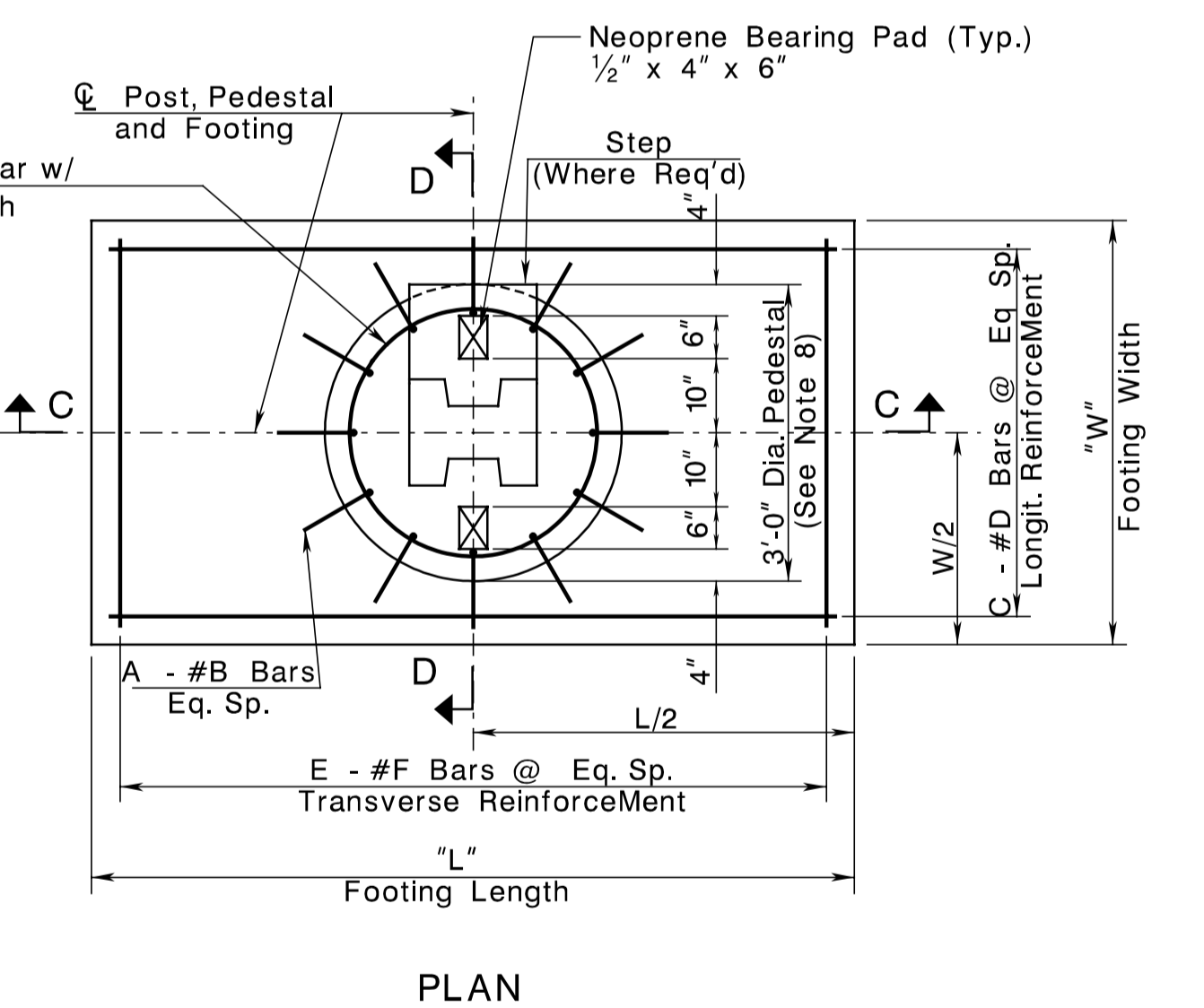
FOUNDATIONS  
LIMITS OF PAYMENT  
FOR FOUNDATION  
EXCAVATION



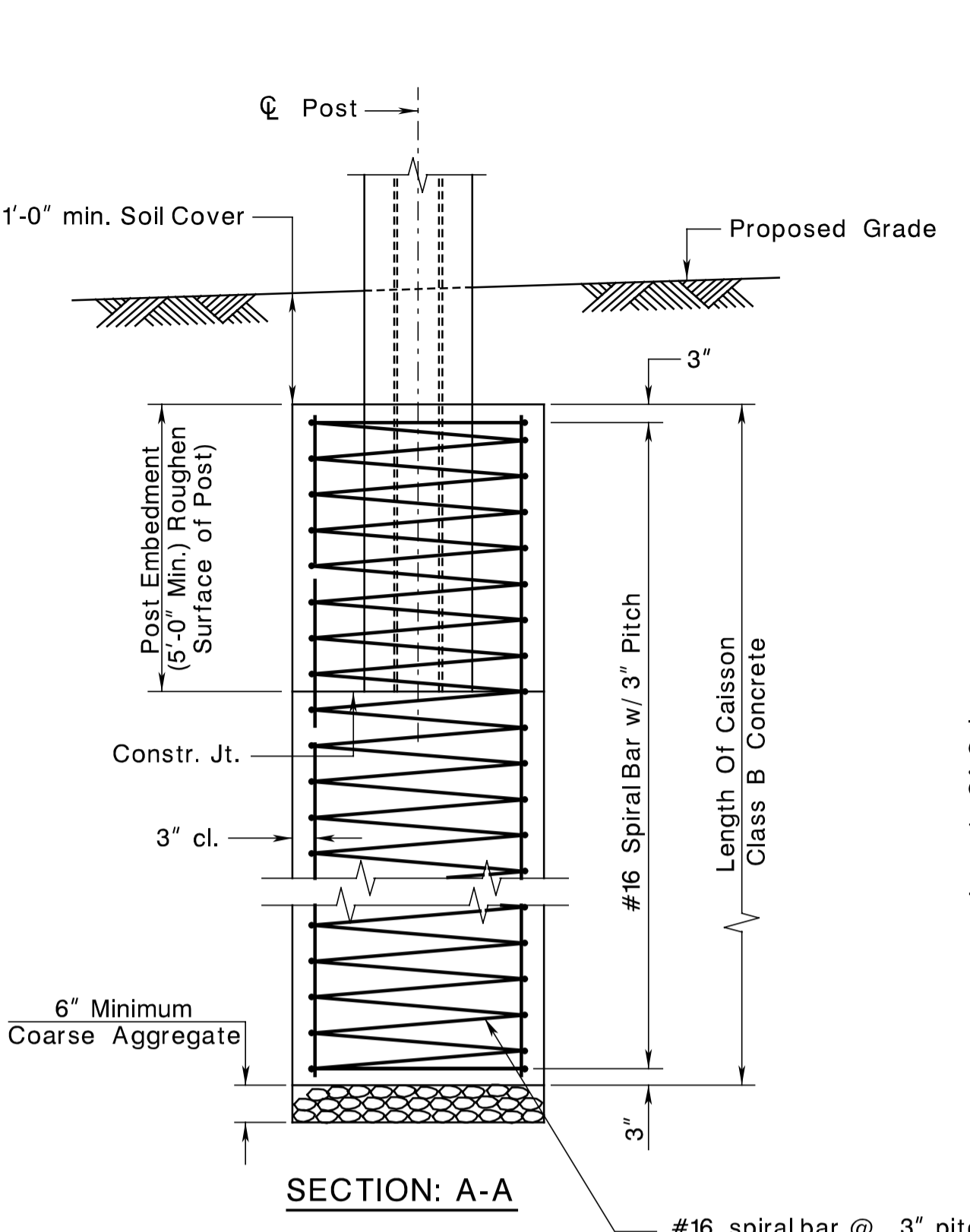
TEMPORARY SHEETING  
LIMIT AS REQUIRED



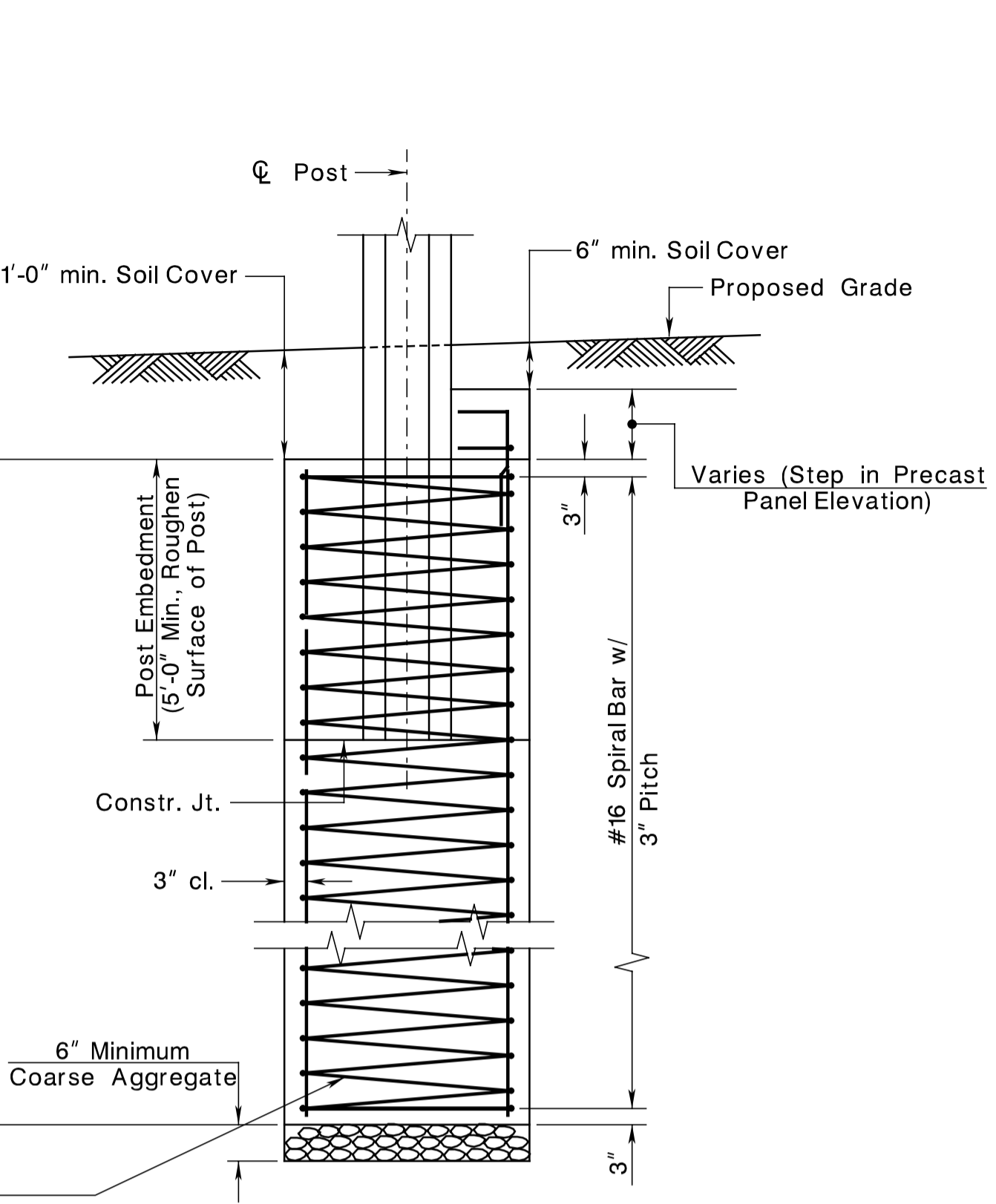
FOUND. TYPE	BAR SCHEDULE						DIMENSION SCHEDULE			
	NO. OF BARS "A"	BAR SIZE "B"	NO. OF BARS "C"	BAR SIZE "D"	NO. OF BARS "E"	BAR SIZE "F"	WIDTH "W"	LENGTH "L"	THICK. "T"	HEIGHT "H"
I										
II										
III										
IV										
V										
VI										
VII										
VIII										
IX										
X										



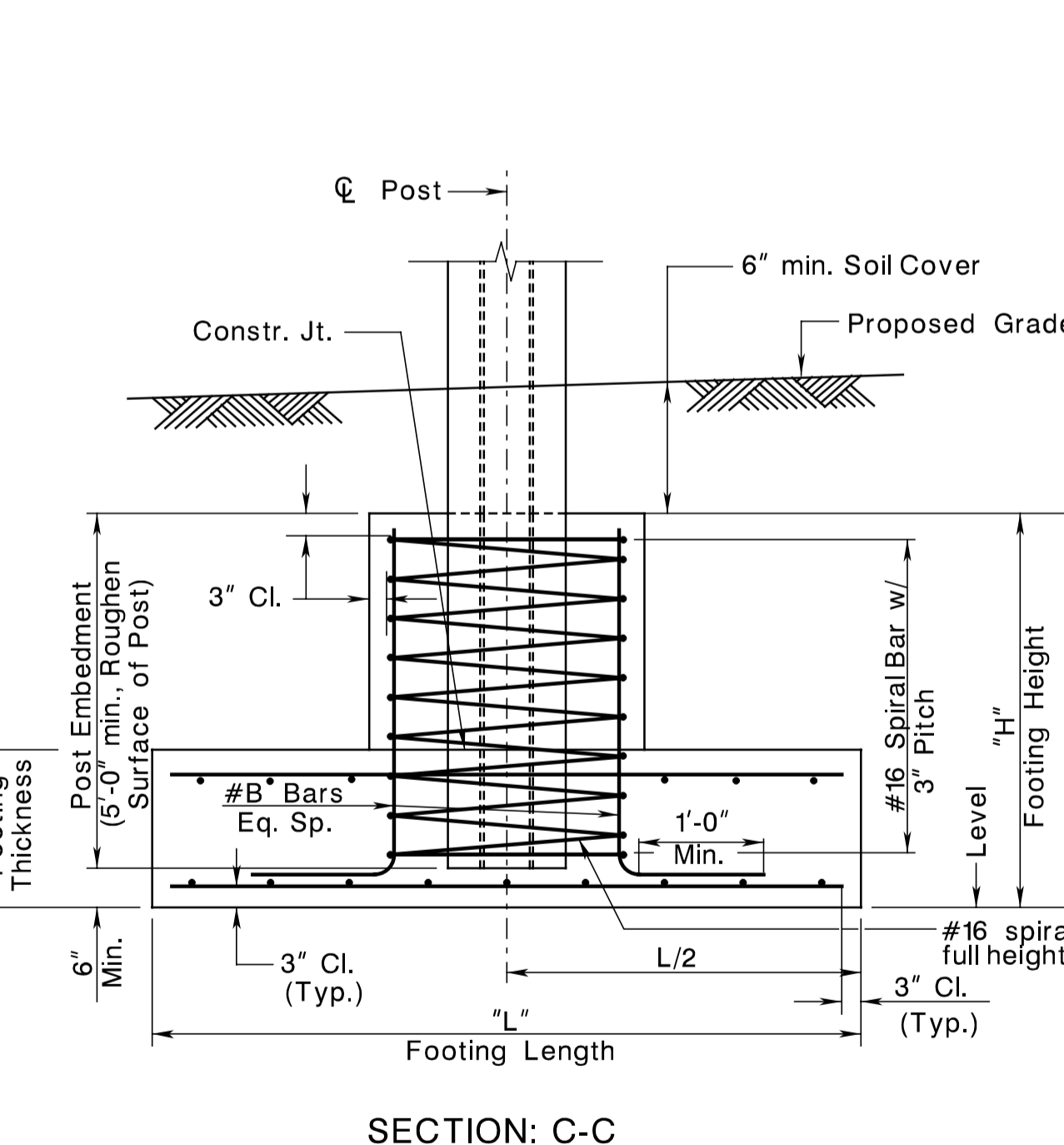
- NOTES:
- When temporary sheeting is required, H is 3'-0" when adjacent to pedestrian or vehicular traffic and 1'-0" minimum for all others.
  - If temporary sheeting is left in place, the upper portion shall be removed to 3'-0" minimum below finished ground.
  - Payment for temporary sheeting's upper limit shall be from the finished grade if grading is required and from the existing ground line if grading is not required and lower limit shall be bottom of excavation.
  - Caission or spread footing is paid for under the item "NOISE BARRIER, FOUNDATION".
  - Coarse aggregate is paid for under the item, "NOISE BARRIER, FOUNDATION".
  - Size of the spread footing, reinforcement and depth of post embedment and length of caisson shall be designed by the designer on a project basis as determined the height of the wall and soil conditions.
  - "Foundation Excavation" is paid for under the item, "NOISE BARRIER, FOUNDATION".
  - "Sheeting Left in Place" is paid for under the item, "NOISE BARRIER, FOUNDATION".
  - Increase diameter to accomodate Type 'KC' and larger size posts.



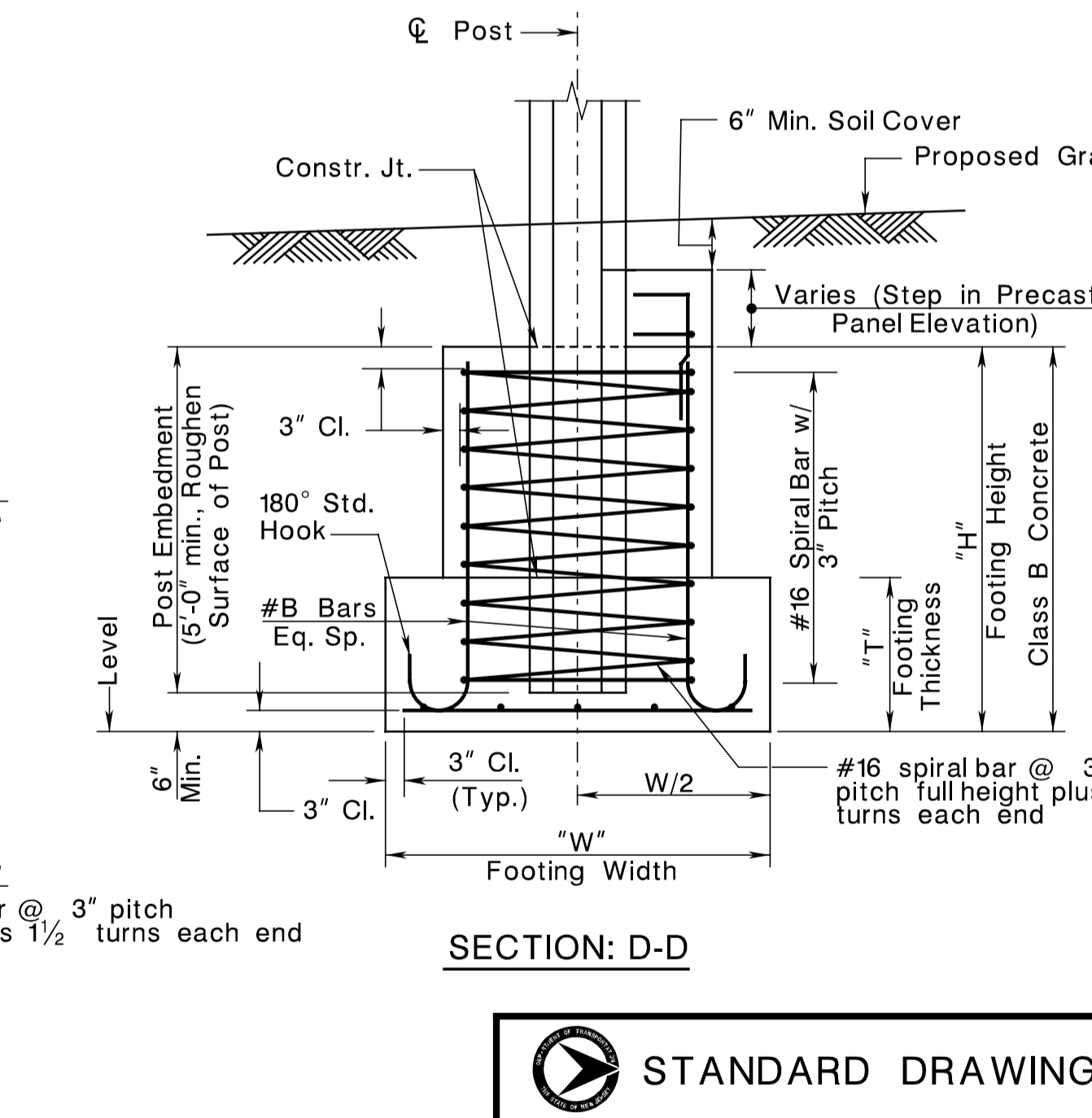
TYPICAL CAISSON DETAILS  
(FOR MAXIMUM POST HEIGHT OF 26'-3")



TYPICAL CAISSON DETAILS  
(FOR MAXIMUM POST HEIGHT OF 26'-3")



TYPICAL SPREAD FOOTING DETAILS  
(FOR MAXIMUM POST HEIGHT OF 26'-3")



TYPICAL SPREAD FOOTING DETAILS  
(FOR MAXIMUM POST HEIGHT OF 26'-3")

CONTROL SECTION	JOB NO.
DES. BY	CHK. BY
DWN. BY	CHK. BY
EST. BY	CHK. BY
SPECS. BY	CHK. BY
IN CHARGE OF	

REVISION	BY	CKD	DATE

**STANDARD DRAWING PLATE 2.8-3**

NEW JERSEY DEPARTMENT OF TRANSPORTATION  
BUREAU OF STRUCTURAL ENGINEERING

**NOISE WALL BARRIERS  
FOUNDATION DETAILS**

ROUTE \_\_\_\_\_ SECTION \_\_\_\_\_

MUNICIPALITY \_\_\_\_\_ COUNTY \_\_\_\_\_

SHEET NO. \_\_\_\_\_ OF \_\_\_\_\_

pen table = E:\System\pilot\PLA\Non-Roadway\bridge.tbl  
scale = 0.084657:1.000000  
date = 18-FEB-2005 15:36  
ID = 16412300